



REF.1508 1W MEET VIDEO NEO WHITE KIT



DESCRIPTION

VIDEO NEO MEET KIT for **single-family homes, offices, and businesses**. MEET IP video door entry system. Decentralised **SIP P2P** protocol. Direct connection of devices to the building's network infrastructure.

The kit includes:

- 14501 MONITOR NEO 7" POE WHITE MEET
- 9533 MILO VIDEO 1L MEET POE BOARD
- 1586 4 PORT POE IP SWITCH
- 95411 NEO/WIT MEET MONITOR CONNECTOR
- 9543 FLUSH MOUNTING BOX MILO PLATE 1L MEET

CHARACTERISTICS

NEO monitor with 7" capacitive touch screen and hands-free audio. Surface installation by means of 95411 connector. Doorbell function. Pictures of missed calls. IP camera display.

MILO 1L IP54 panel with 1.2MPx colour camera. Installation in recessed box 9543.

Call forwarding to up to 8 devices with MEET ME APP as standard. Licences included. Pairing of users' mobile devices via label on the front of the monitor. Call reception even when the APP is closed.

Expandable to a maximum of **9 panels and 9 monitors**. Possibility of intercommunication between monitors (autodiscovery of monitors).

SIP compatible. Can be integrated with third party VoIP terminals and PBXs.

RTSP streaming for image recording of the panel from a third party video recorder.

Device reconfiguration via web browser, without any additional software.

ACCESSORIES

Ref. 1485 MEET MONITOR DESKTOP SUPPORT

Ref. 1490 EXTERNAL DOORLOCK RELAY MEET

Ref. 95181 MILO 1W PANEL SURFACE BOX ALUMIN.

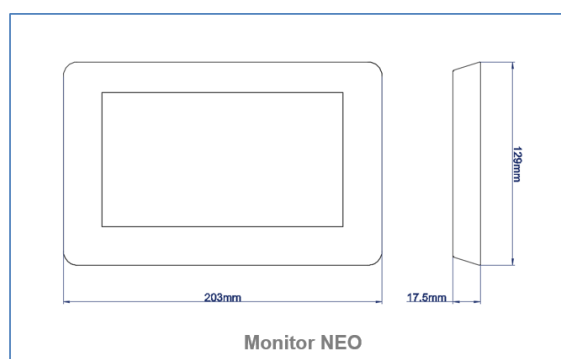
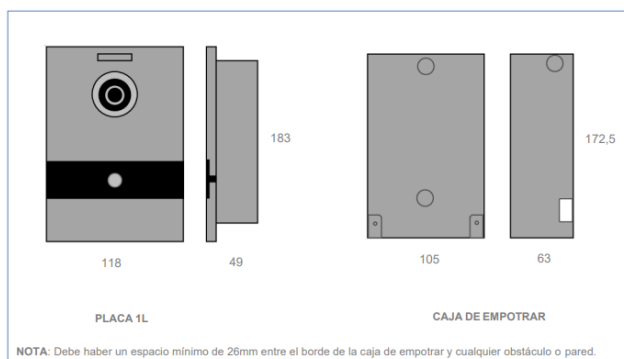
Ref. 4813 PSU DIN6 100-240VAC/12VDC-2A

Ref.6750 UNIVERSAL ELEC. STRIKE 990N 10-24V

Ref.67501 UNIVERSAL LOCK RELEASE 990N-P22 10-24V

DIMENSIONS

Case: 32 x 22.7 x 24.5 cm (W x H x D)



TECHNICAL CHARACTERISTICS

Supply:

- Switch: max.30W/port (IEEE802.3af/at), up to 48W in total
- Devices: PoE
- Use an additional power supply for the electric lock release.

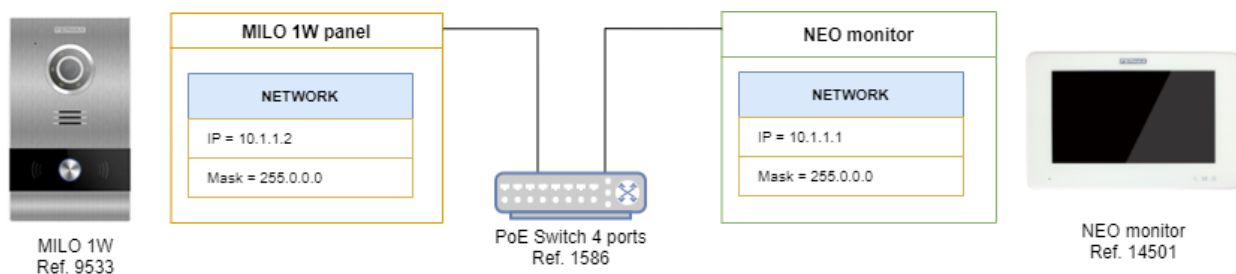
Summary:

MILO 1L: Lens 52°(V), 100°(H), 0.5Lux min., white led
 NEO monitor: 7", 800x480px, 8 sensor inputs
 Audio/video codecs: G.711, H.264
 RJ-45 Ethernet connection

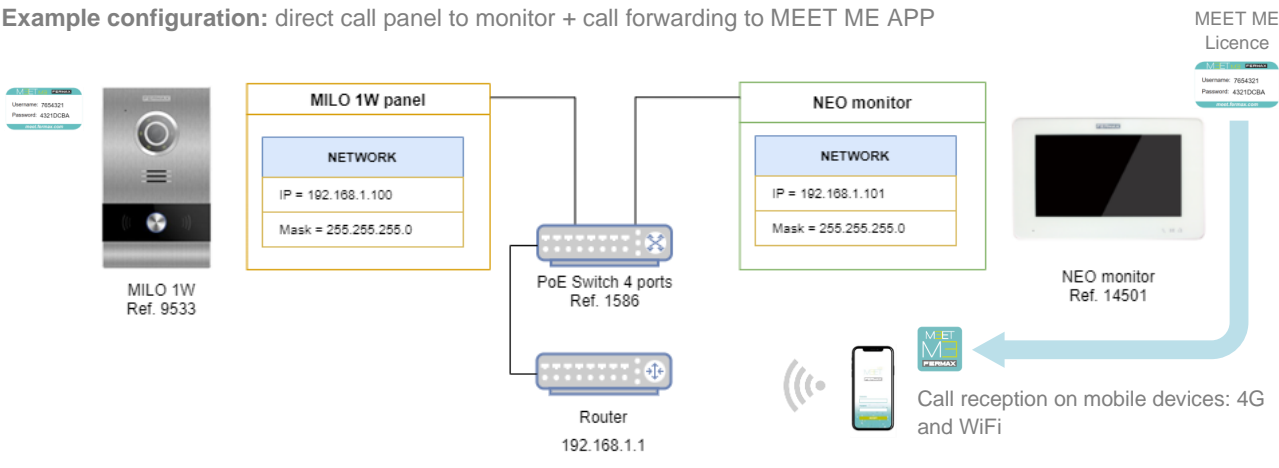
Detailed information on the datasheet of each product

SCHEMES

Default configuration: plug&play, direct board-to-monitor call without any configuration



Example configuration: direct call panel to monitor + call forwarding to MEET ME APP



MANUALS AND DATASHEETS

- 14501 NEO 7" MONITOR POE WHITE MEET
- 9533 1/W MILO VIDEO PANEL MEET POE
- 1586 SWITCH POE 4 PORTS
- 95411 NEO/WIT MONITOR CONNECTOR MEET
- 9543 MILO 1/W PANEL FLUSH BOX MEET