

# ABLOY® DC840

*“Non handed cam action concealed door closer for heavy duty use”*

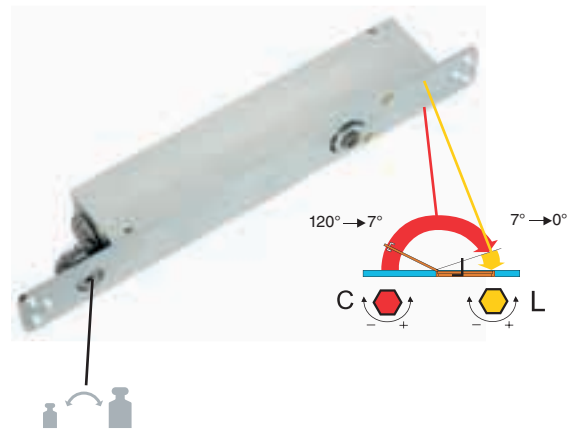
Thanks to the cam construction it is extremely light to open but strong enough to close the door in every situation. **ABLOY®** DC840 can be adjusted to meet the requirements of the light opening resistance for example the DDA (Disability Discrimination Act) in UK. **ABLOY®** DC840 is suitable for 40 mm doors, internal and fire doors. For use with **ABLOY®** FD480 series fire door closing systems.



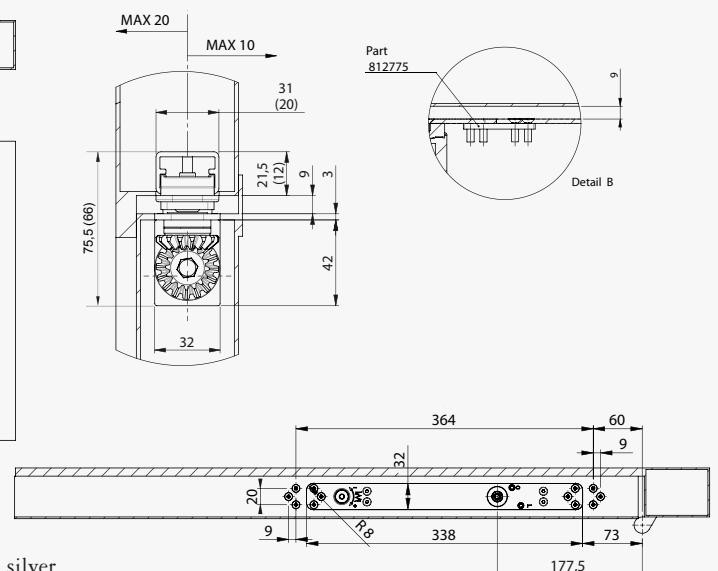
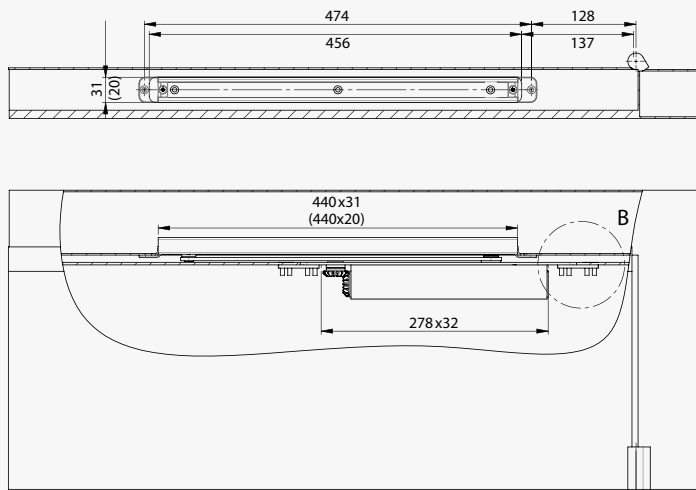
## FEATURES

- CE certified
- Adjustable closing force size EN 1-4
- Separate adjusting valves for closing and latching speed, mechanical BC
- Pressure relief valve to protect against abuse
- Wide operating temperature range: -15...45°C
- Anodized aluminium door closer body
- Two different arm systems: DC892, DC893

## ADJUSTMENT



## INSTALLATION AND DIMENSIONS



Dimensions for DC893  
Dimensions shown in ( ) = DC892

When ordering, please specify

- Door closer model e.g. DC840, quantity, arm type and colour e.g. DC892 silver.
- The arm is not included in the delivery or price of the door closer.