

Automatic single point lock

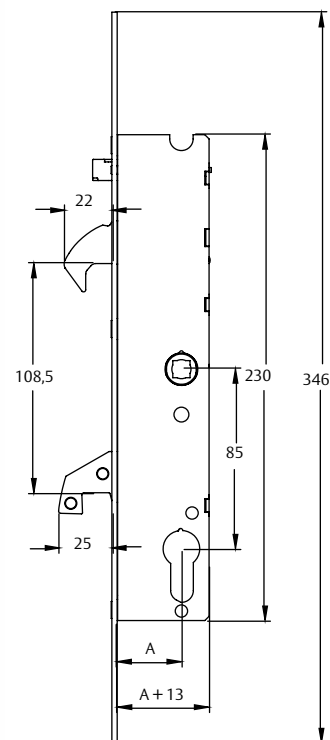
Automatic hook + reinforced hook

2240 AUT Series

Automatic locking system

- » Stainless steel frontplate and strike plate.
- » Backset 30.
- » Distance between axes 85mm.
- » Maximum distance between hook and strike plate 5mm.

Backset	Product code	CYL	STR	ESC
30	4240AUT305NI		•	



Detail of the automatic hook

