

Motion detector

# IS 240 DUO

white

EAN 4007841 602819

Article number 602819



infrared sensor  
240°



max. 12 m

1000 W

1000 W max.  
(LED-ready)



IP54



Sensor 160°  
horizontal



2 - 2000 lux



10 sec - 15 min



Ideal 2 m



energy saving

3 years

manufacturer's  
warranty  
[steinell.de/garantie](https://www.steinell.de/garantie)

## Function description

Round the corner. Infrared wall sensor IS 240 DUO, for indoors and out, 240° angle of coverage, reach up to 12 m, selectable time and twilight threshold, detection zone can be customised with shrouds.

## Motion detector

# IS 240 DUO

white

EAN 4007841 602819

Article number 602819



## Technical specifications

Type	Motion detectors	Fluorescent lamps, electronic ballast	1000 W
Dimensions (L x W x H)	100 x 60 x 90 mm	Fluorescent lamps, uncorrected	500 VA
Mains power supply	230 – 240 V / 50 Hz	Fluorescent lamps, series-corrected	500 VA
Sensor Technology	passive infrared	Fluorescent lamps, parallel-corrected	5000 VA
Application, place	Indoors, Outdoors	Switching output 1, low-voltage halogen lamps	1000 VA
Installation site	wall, corner	LED lamps	16 W
Installation	Surface wiring	LED lamps > 2 W	64 W
Mounting height	1,80 – 4,00 m	LED lamps > 8 W	64 W
Reach, radial	r = 5 m (52 m <sup>2</sup> )	Capacitive load in µF	132 µF
Reach, tangential	r = 12 m (302 m <sup>2</sup> )	Constant-lighting control	No
Detection angle	240 °	Basic light level function	No
Angle of aperture	180 °	Settings via	Potentiometers
Switching zones	276 switching zones	With remote control	No
Optimum mounting height	2 m	Interconnection	Yes
Mechanical scalability	No	Type of interconnection	Master/master
Sneak-by guard	Yes	IP-rating	IP54
Capability of masking out individual segments	Yes	Material	Plastic
Electronic scalability	No	Ambient temperature	-20 – 50 °C
Twilight setting TEACH	No	Application, room	outdoors, front door, all round the building, terrace / balcony, courtyard & driveway
Twilight setting	2 – 2000 lx	Colour	white
Time setting	10 s – 15 Min.	Colour, RAL	9010
Output	1000 W	Manufacturer's Warranty	3 years
Switching output 1, resistive	1000 W	Version	white
Switching output 1, number of LEDs / fluorescent lamps	6 pcs.	PU1, EAN	4007841602819

## Accessories

EAN 4007841 630218      Corner wall mount 01

Motion detector

# IS 240 DUO

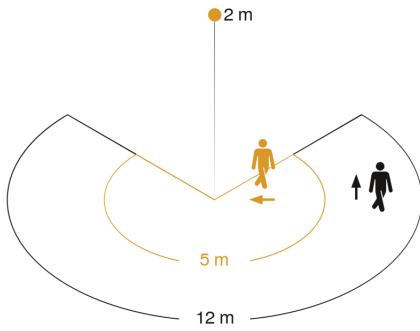
white

EAN 4007841 602819

Article number 602819



## Detection Zone

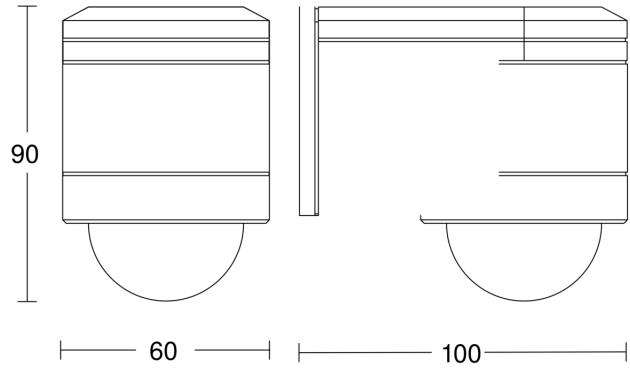


Mögliche Montagehöhe: 1,80 m – 4,00 m

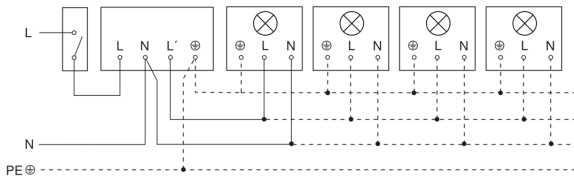
Orange: radial

Schwarz: tangential

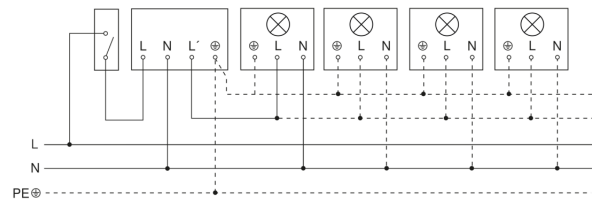
## Dimension Drawing



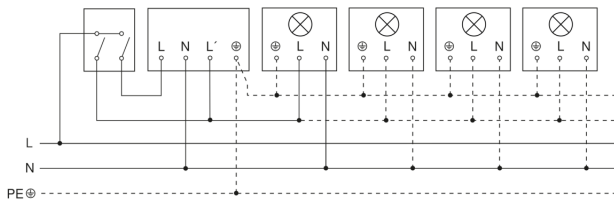
## Light without neutral conductor



## Light with neutral conductor



## Connection using two-circuit switch for manual and automatic operation



## Connection via a two-way switch for manual override and automatic operation

