

### REF. 1401/1402 WAY KIT



#### The kit includes

- 1416 1/W WAY Video outdoor panel with rain hood
- 1412 Color WAY Monitor with 7" Capacitive touchscreen
- 1410 WAY Power Supply Unit 100-240 Vac 0,6A (50-60Hz) / 26Vdc-2A DIN8

#### Extensions

- 1412 Color WAY Monitor with 7" capacitive touchscreen – Apartment 1
  - 1413 Color WAY Monitor with 7" capacitive touchscreen – Apartment 2.
- \*An apartment can be extended with 1 additional monitor without extra power supply.

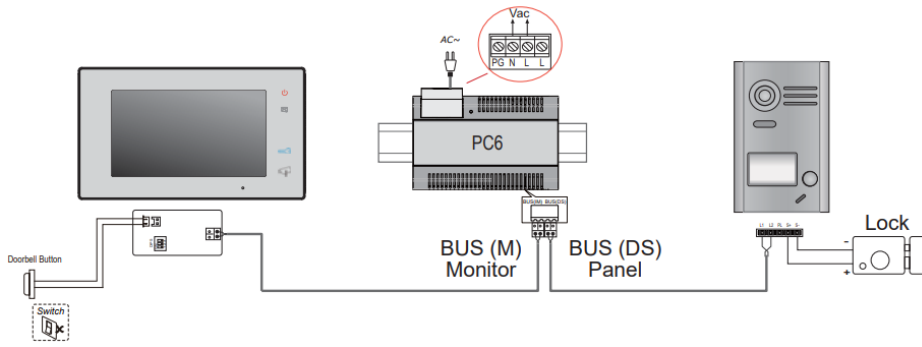
- 1416 1/W WAY Video outdoor panel with rain hood.
  - 1417 2/W WAY Video outdoor panel with rain hood.
  - 1418 WAY Secondary Relay Module
  - 1419 WAY Panel-switch
- \*It is possible to add additional outdoor panels (up to 4) using Panel-switch Ref.1419

OUTDOOR PANEL	1416/1417
Dimensions (Height x Width x Depth)	155 x 95 x 39 mm (with rainhood)
Installation	Surface. Rain hood included and necessary for surface mounting
IP rating	IP 43
Finish	Zamak
Electric lock activation	Yes (output 12 Vdc 250 mA, connections S+, S-). Activation time (1-8 s.) Configurable as Free Potential relay (Normally Open/Close). *Possibility to add secondary relay using Ref.1418.
Exit Button	Yes. Possibility to add Exit button for door release: Direct connection to the panel or using Ref.1418 external relay
Camera	CCD, 1Vpp. 75Ohms. CCIR standard. White LEDs for camera illumination by light sensor automatic activation.
Angle of the camera	Horizontal=93°, Vertical=71°
Set Cardholder + Pushbutton	Cardholder and pushbutton both backlighted. Backlight automatic activation by light sensor.
Secondary entry panel	Yes (Up to 4 panels using Panel-switcher )
Loudspeaker volume adjustment	Yes
Operating temperature	[-25°C, +70°C]
Maximum current of the electric lock	250 mA

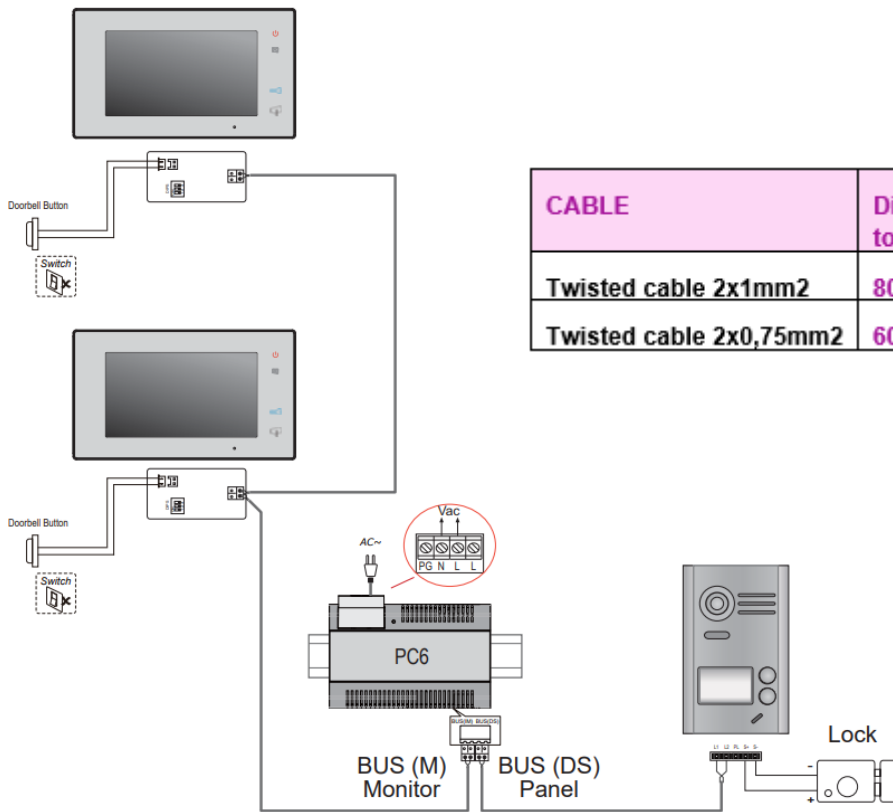
<b>MONITOR</b>	<b>1412/1413</b>
Dimensions (Height x Width x Depth)	225 x 131 x 18 mm
Monitor fitting	Surface (wall bracket included)
Screen features	Digital TFT colour monitor with capacitive touch screen that facilitates an intuitive use. (panoramic format 16:9).
LEDs	Monitor ON; Do-not-disturb ON; Pictures/Videos pending to be seen.
Conversation mode	Handsfree
Door bell connections	Yes (connections GND, BELL)
Date and Time	Yes (Time: 24h format. Date: Configurable format).
Do not disturb mode	Yes. Immediate Activation/Deactivation and/or programmable daily time slot. 1 hour, 8 hours or always
Picture & Video capture	Yes. After 3 seconds the monitor automatically records a video (in case there is a micro SD Card installed) or a picture (in case there isn't) of the visitors. While answering, you also have the option to manually take a snapshot of your visit. The recorded videos/pictures from the outdoor panel will be played on the screen.
Erasing pictures and videos	Yes. One by one, select some, select all. When reaching the maximum storage, the oldest pictures/videos are deleted. Available option to format the Micro SD card.
Calls log (with date and time)	Yes. Pictures and videos are stored with date and time.
Auto-on (camera activation from the monitor)	Yes. Selectable.
Main door release (electric lock)	It activates 12 Vcc output (connections S+, S- in the panel). Programmable activation time (1-8 s.)
Video settings	Yes (Brightness, contrast and colour)
Volume settings (call and conversation)	Yes (levels from 0-8)
Intercommunication between monitors	Yes.
Language menu	16 (English, Finnish, Hebrew, German, Arabic, Hungarian, Czech, Polish, Nederlands, Norwegian, French, Hindi, Turkish, Spanish, Italian and Portuguese.)
Ringtones	20. Different selection for: outdoor panel call, apartment door bell, intercommunication call.
Automatic door release upon call (Doormatic)	No
Connections	Bus (B, B); Door bell (GND, BELL); Micro SD slot (8-32 GB); Video impedance adaptor (dipswitch 1 OFF at the end of the line)
Call Divert Via App Smartphone	No
Operating temperature	[-20°C, +55°C]

<b>POWER SUPPLY UNIT</b>	<b>1410</b>
Input voltage	100-240Vac (universal range)
Input current	0,6A
Input frequency	50-60 Hz
Installation	DIN8 rail
Protections	Short circuit, overload, overvoltage
Output voltage	26 Vdc
Output current	2A
Operating temperature	[-10°C, +50°C]
Dimensions (Height x Width x Depth)	140 x 90 x 60 mm

### Wiring diagram with 1 monitor & 1 panel



### Wiring diagram with 2 monitors and 1 panel 2PB



CABLE	Distance Panel to PSU	Distance PSU to Monitor
Twisted cable 2x1mm <sup>2</sup>	80m	80m
Twisted cable 2x0,75mm <sup>2</sup>	60m	60m

### Wiring diagram Panel Switch WAY (up to 4 panels)

