

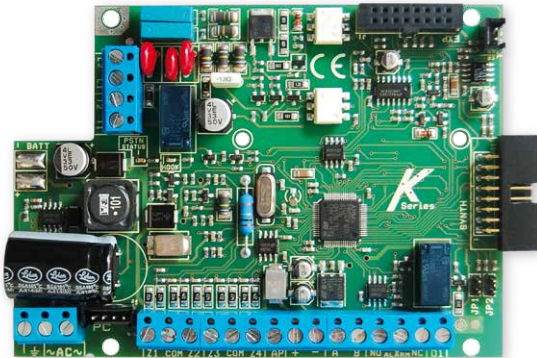
# K Series

EN 50131 / GRADE 2 / CLASS 2



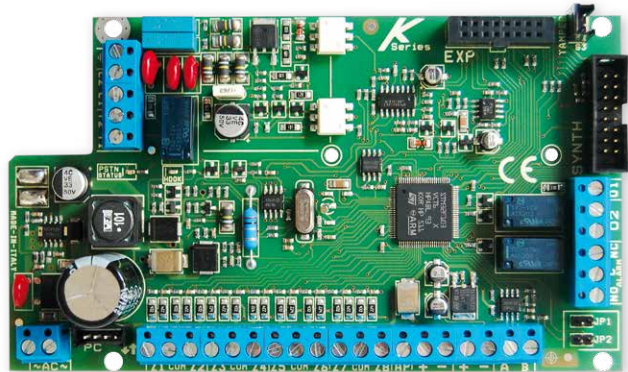
## K4

- from 4 to **16** wired zones
- 64 wireless zones



## K8

- from 8 to **32** wired zones
- 64 wireless zones



## K8plus

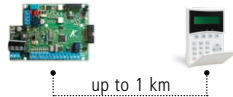
- from 8 to **64** wired zones
- 64 wireless zones

GPRS/3G module

IP module

**Multisplit zones**  
K4 - K8 (without expansions)

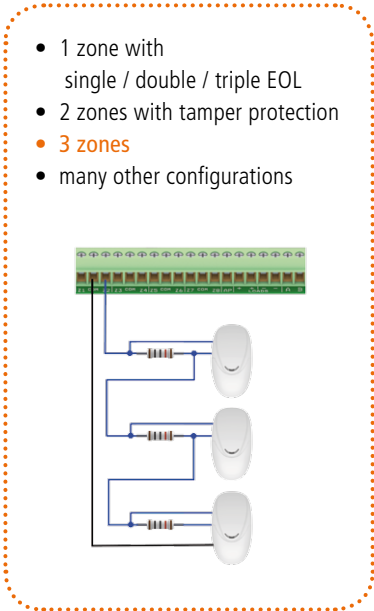
BUS line (4 wires) RS485



CMS multiformat

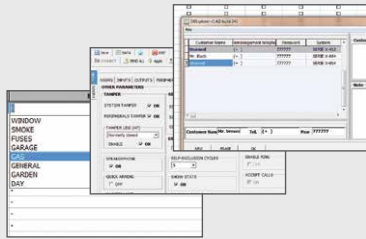
Hybrid system (wired and wireless input)

PSTN on board



iOS / Android Application  
**AMCMANAGER**





Settable by PC



The **K Series** are security control panels for building protection; hybrid system (wired and wireless input); EN 50131, Grade 2, Class 2 approved. The control panel is equipped of 4/8 zones, expandable to 16/64. It is possible to obtain more zones by double and triple EOL split line (K4-K8). K Series are able to notify one or more situations of ALARM, ROBBERY, TAMPERING and TROUBLE with different carriers:

- **PSTN LINE on board** (voice call, Contact ID, SIA fsk, etc.)
- **GPRS/3G module** (voice call, SMS, Contact ID, DC09 IP protocol for Contact ID and SIA IP)
- **IP module** (DC09 IP protocol for Contact ID and SIA IP)

The panel can be controlled by new App AMC MANAGER (iOS / Android) with IP module and/or GPRS / 3G module. The programming can be made with keypad and/or PC software. The programming with software can be made remotely with IP module and/or GPRS / 3G module.



Technical Features			
	K4	K8	K8 PLUS
<b>ZONES</b>	4 - 16 wired, split double, triple EOL	8 - 32 wired, split double, triple EOL	8 - 64 wired, double, triple EOL
<b>WIRELESS ZONES</b>	64 zones	64 zones	64 zones
<b>OUTPUTS</b>	2 on board - expandable to 8 (with expansions and keypads)	2 on board - expandable to 8 (with expansions and keypads)	2 on board - expandable to 17 (with expansions and keypads)
<b>USER CODE / TAG / REMOTE</b>	32 users	32 users	64 users
<b>AREAS</b>	4	4	8
<b>GROUPS</b>	4	4	4
<b>KEYPAD</b>	4	4	8
<b>TAG READER</b>	4	4	8
<b>LOG EVENTS</b>	1000	1000	1000
<b>PHONE NUMBERS</b>	8 for SMS and private calls + 8 for CMS	8 for SMS and private calls + 8 for CMS	8 for SMS and private calls + 8 for CMS
<b>CARRIERS</b>	PSTN on board, GPRS/3G module, IP module	PSTN on board, GPRS/3G module, IP module	PSTN on board, GPRS/3G module, IP module
<b>REMOTE MANAGEMENT IP - GPRS/3G</b>	by app (iOS - Android)	by app (iOS - Android)	by app (iOS - Android)
<b>REMOTE PROGRAMMING IP - GPRS/3G</b>	by PC software	by PC software	by PC software
<b>TIMERS</b>	4 per day week	4 per day week	4 per day week