

ABLOY® DC247 door closer



Suitable for use on internal and external doors but ideal solution for extremely heavy doors. The maximum door weight 160 kg and door leaf width 1600 mm with a standard arm installation.

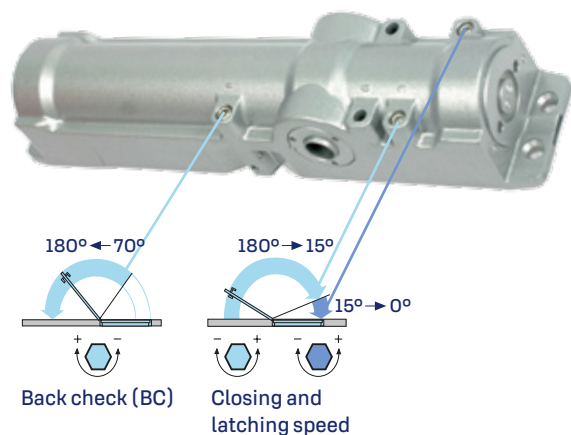
Features

- CE certified with arm DC197
- Adjustable closing force size EN 5-7 according EN1154
- Separate adjusting valves for closing and latching speed
- Back Check (BC) as a standard feature
- Comprehensive operating temperature range: -35°C...+45°C
- Adjustable latching and back check starting angle because of the grooved spindle
- Easy adjustment of arm height (14 mm)
- Two pressure relief valves to protect against abuse
- Die-cast aluminium body manufactured from high performance silicon alloy

WHEN ORDERING, PLEASE SPECIFY

- Door closer model and colour e.g. DC247 (silver)
- Quantity
- Arm type and colour e.g. DC197 silver
- The arm is not included in the delivery or price of the door closer.
- Mounting plate e.g. DC126

Adjustment





DC247 door closer installation with arm DC197

