

ABLOY® DC240 door closer



Suitable for external doors, large doors and internal doors exposed to conditions of pressure and heavy use. The maximum door weight 120 kg, and door leaf width 1400 mm with a standard arm installation. When installed with a guide rail maximum door weight is 80 kg and door leaf width is 1100 mm.

Features

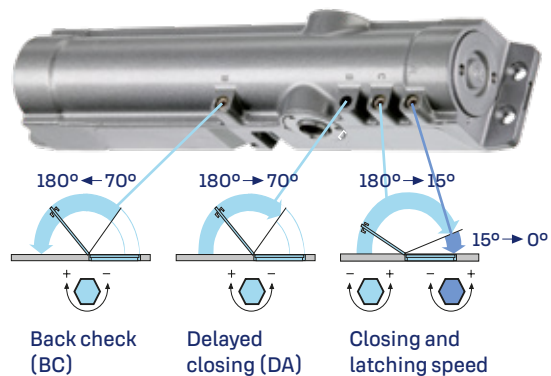
- CE certified with standard and guide rails
- Adjustable closing force size EN 2-6 with the standard arm and EN 1-4 with the guide rail according EN1154
- Separate adjusting valves for closing and latching speed
- Back check (BC) as a standard feature
- Delayed closing (DA) as an option
- Comprehensive operating temperature range: -35°C...+45°C
- Adjustable latching and back check starting angle because of the grooved spindle
- Easy adjustment of arm height (14 mm) In addition, the guide rail has an additional 2mm height adjustment
- Two pressure relief valves to protect against abuse
- Die-cast aluminium body manufactured from high performance silicon alloy

WHEN ORDERING, PLEASE SPECIFY

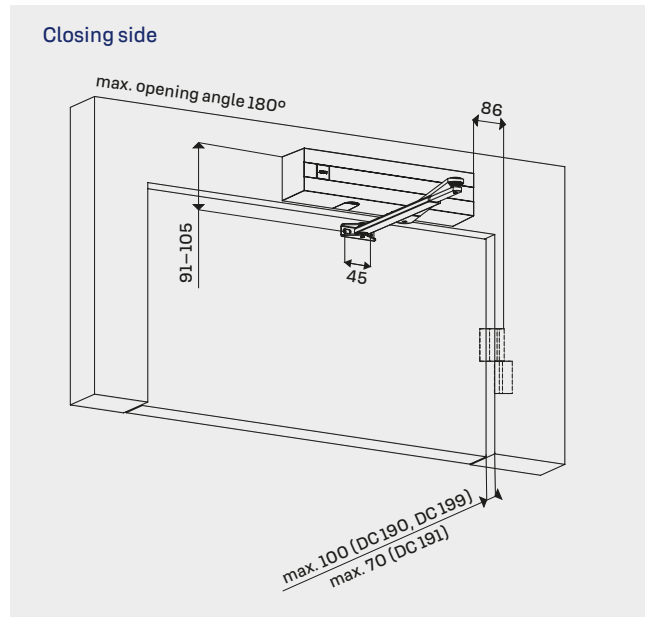
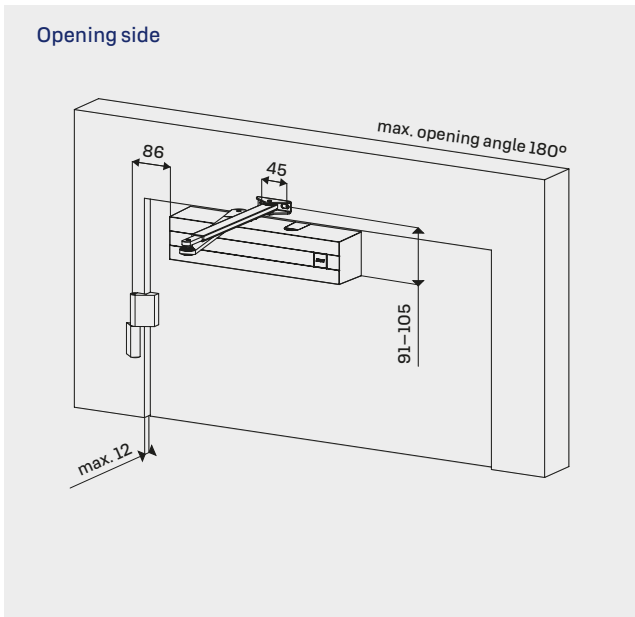
- Door closer model and colour e.g. DC240 (silver)
- Quantity
- Arm type and colour e.g. DC190 silver
- The arm is not included in the delivery or price of the door closer.
- Mounting plate e.g. DC126

Adjustment

Back check (BC) as a standard feature and Delayed closing (DA) as an optional feature



DC240 door closer installation with arms DC190, DC191 ja DC 199 (EN 2-6)



DC240 door closer installation with arm DC195 (EN 1-4)

