

ABLOY® DC860

“Concealed door closer for demanding applications”

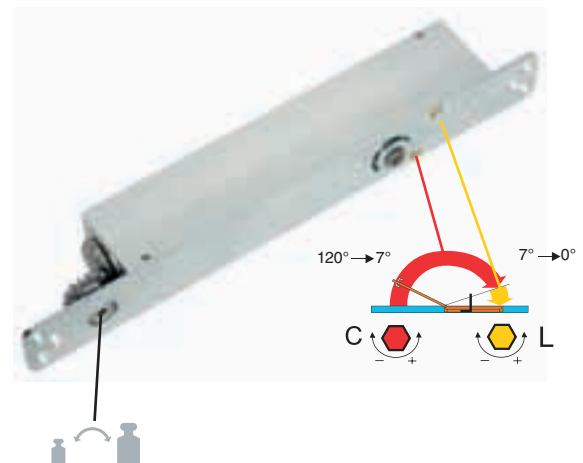
ABLOY® DC860 is non-handed cam action door closer and therefore very easy to install. Thanks to the cam construction it is extremely light to open but strong enough to close heavy doors. **ABLOY®** DC860 is suitable for external and internal doors and heavy duty doors. For use with **ABLOY®** FD480 series fire door closing systems.



FEATURES

- CE certified
- Adjustable closing force size EN 1-5
- Separate adjusting valves for closing and latching speed, mechanical BC
- Pressure relief valve to protect against abuse
- Wide operating temperature range: -15...45°C
- Anodized aluminium door closer body
- Two different arm systems: DC892, DC893

ADJUSTMENT



INSTALLATION AND DIMENSIONS

