

GV-ABL2703 Series 2MP H.265 Low Lux WDR IR Bullet IP Camera



- 1/2.7" progressive scan low lux CMOS sensor
- Min. illumination at 0.02 lux
- Triple streams from H.265, H.264 or MJPEG
- Up to 30 fps at 1920 x 1080
- Intelligent IR
- IR distance up to 30 m (98.4 ft)
- Day and night function (with removable IR-cut filter)
- Ingress protection (IP67)
- DC 12V / PoE (IEEE 802.3af)
- Wide Dynamic Range (WDR)
- Defog
- 3D noise reduction
- Motion detection
- Text overlay
- Privacy mask
- ONVIF (Profile S, T) conformant

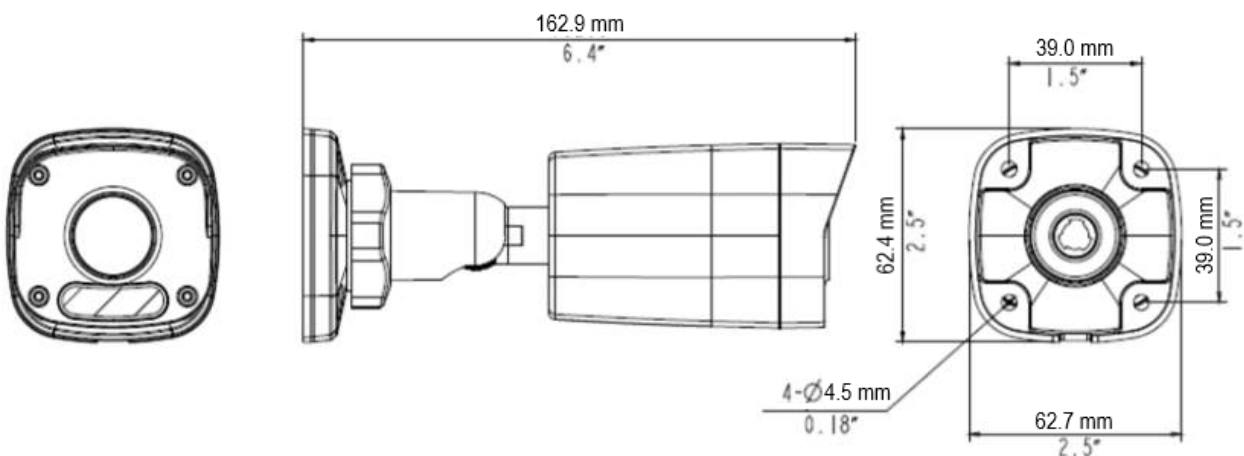
Introduction

The Bullet IP Camera is an outdoor, fixed, network camera equipped with an automatic IR-cut filter and an IR LED for day and night surveillance. The camera supports H.265 video codec to achieve better compression ratio while maintaining high quality pictures at reduced network bandwidths. The camera adheres to IP67 standards and can be powered through PoE.

Models

Model	Iris	Focal Length (mm)	Horizontal FOV	Maximum Aperture	Image Format
GV-ABL2703-0F	Fixed	4 mm	86°	F/2.0	1/2.7"
GV-ABL2703-1F		6 mm	55°		

Dimensions



Specifications

Camera		GV-ABL2703-0F	GV-ABL2703-1F
Image Sensor		1/2.7" progressive scan low lux CMOS	
Picture Elements		1920 (H) x 1080 (V)	
Minimum Illumination	Color	0.02 Lux (F2.0, AGC ON)	
	IR ON	0 Lux	
Shutter Speed		Auto / Manual (1/6 ~ 1/100000 sec)	
White Balance		Auto / Manual	
Gain Control		Auto / Manual	
S/N Ratio		52 dB	
WDR		Yes	
Dynamic Range		Up to 72 dB	
Lens			
Megapixel		2 MP	
Day / Night		Yes (with removable IR-cut filter)	
Lens Type		Fixed	
Focal Length		4 mm	6 mm
Maximum Aperture		F/2.0	
Mount		M12	
Horizontal FOV		86°	55°
Operation	Focus	Fixed	
	Zoom		
	Iris		
IR LED Quantity		1 IR LED	
Max. IR Distance		30 m (98.4 ft)	
Operation			
Video Compression		H.265, H.264, MJPEG	
Video Streaming		Triple streams from H.265, H.264 or MJPEG	
Video Resolution	Main Stream	1920 x 1080 (Default), 1280 x 720	
	Sub Stream	1280 x 720, 704 x 576, 704 x 288, 640 x 360 (Default), 352 x 288	
	Third Stream (Closed by Default)	704 x 576, 704 x 288, 640 x 360, 352 x 288	
Frame Rate		30 fps at 1920 x 1080 (60 / 50 Hz) * The frame rate and performance may vary depending on the number of connections and data bitrates (different scenes).	
Video Analytics		Motion Detection, Tampering Alarm	
Image Setting		Brightness, Contrast, Saturation, Sharpness, Flicker-less, Image Orientation (Flip, Mirror, 0°, 180°)	
Network			
Interface		10/100 Ethernet	
Protocol		ARP, DHCP, DDNS, DNS, DynDNS, FTP, HTTP, HTTPS, ICMP, IGMP, IPv4, NTP, QoS, RTCP, RTP, RTSP, SMTP, TCP, UDP, UPnP, ONVIF (Profile S, T)	
Mechanical			
Temperature Detector		No	
Camera Angle Adjustment	Pan	0° ~ 360°	
	Tilt	0° ~ 90°	
	Rotate	0° ~ 360°	
Connectors	Power	DC Jack, PoE	
	Ethernet	RJ-45 connector	
General			
Operating Temperature		-30°C ~ 60°C (-22°F ~ 140°F)	
Humidity		10% ~ 90% (no condensation)	
Power Source		12 V DC / PoE (IEEE802.3af)	
Max. Power Consumption		4.5 W	
Dimensions		162.9 x 62.4 x 62.7 mm (6.4" x 2.5" x 2.5")	
Weight		0.37 kg (0.81 lb)	
Ingress Protection		IP67	

Regulatory	FCC, CE, RoHS compliant
Web Interface	
Installation Management	Web-based configuration
Maintenance	Firmware upgrade through Web Browser or Utility
Access from Web Browser	Live View, Video Recording, Change Video Quality, Bandwidth Control, Image Snapshot, Defog, Text Overlay, Image Masking
Language	Czech, English, French, German, Italian, Russian, Traditional Chinese
Applications	
Software Supported	GV-DVR / NVR (V8.8.0), GV-VMS (V17.2.0), GV-Control Center (V3.5.1), GV-Edge Recording Manager Windows version (V1.4.0), GV-Recording Server / Video Gateway (V1.4.2), GV-Redundant / Failover Server (V1.1.0.0)
Smart Device Access	GV-Eye for iOS and Android
Live Viewing	Browser (IE, Edge, Chrome, Firefox), Mobile App

Note:

1. It is required to apply patch files to some or all of the supported software.
2. Do not use clothes or any ordinary material to clean the camera cover since they may result in scratches.
3. Specifications are subject to change without notice.

Packing List

- | | |
|-----------------------------------|--------------------------|
| 1. GV-ABL2703 IR Bullet IP Camera | 4. Drill Template Paster |
| 2. Waterproof Rubber Set | 5. Download Guide |
| 3. Screw Kit | 6. Warranty Card |

Accessories

Model No.	Name		Details
GV-Mount300-2	Convex Corner Mount		Dimensions: 137 x 233 x 160 mm (5.4" x 9.17" x 6.3") Weight: 1.65 kg (3.64 lb)
GV-Mount310-2	Concave Corner Mount		Dimensions: 111.2 x 369.9 x 210 mm (2.6" x 11.4" x 6.6") Weight: 1.65 kg (3.64 lb)
GV-Mount502	Wall Mount Bracket		Dimensions: 93 x 93 x 39 mm (3.66" x 3.66" x 1.53") Weight: 0.235 kg (0.52 lb)
GV-PA191	Power over Ethernet (PoE) Adapter		GV-PA191 is a Power over Ethernet (PoE) adapter designed to provide power to the IP device through a single Ethernet cable.
GV-POE Switch			GV-POE Switch is designed to provide power along with network connection for IP devices. GV-POE Switch is available in various models with different numbers and types of ports.
Power Adapter			Contact our sales representatives for the countries and areas supported.