

Narrow-style locks.



nemef.nl

ASSA ABLOY, the global leader in door opening solutions



**Nemef BV P.O. Box 13, 7300 AA Apeldoorn Papegaaieweg 35, 7345 DK Wenum Wiesel, The Netherlands
T +31 55 312 84 00 F +31 55 312 20 87 E export@nemef.nl I www.nemef.nl**

Nemef BV accepts no liability for printing errors and technical modifications in this brochure.

Lock & cylinder technology



NEMEF guarantees an extensive and continually growing assortment of locks and builders' hardware, such as door locks, profile cylinders, multipoint locks and access control. These quality products that leave the NEMEF plant reach their customers quickly and efficiently due to a hypermodern distribution centre. NEMEF is working today on the standard for tomorrow through innovative product development focused on contemporary user convenience.

Narrow-style locks

Narrow-style locks of NEMEF

The NEMEF narrow-style locks series is especially developed for the commercial and residential lock market for application in aluminum, synthetic or steel doors. NEMEF narrow-style locks meet the highest demands in the field of material and design.

A number of advantages of the narrow style locks series:

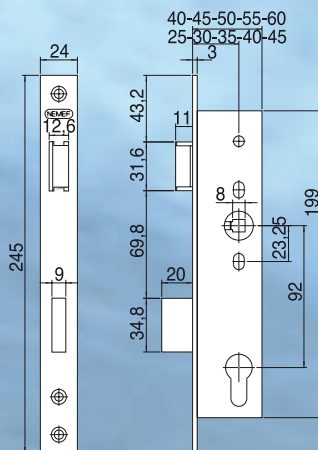
- All versions have the same case dimensions.
This means that all doors have the same cut-out.
- The series has an easy reversible latch bolt.
- The locks are maintenance free through thermally stable lubrication.
- The interior parts are zinc-plated and wear-resistant and therefore guarantee a long life.
- The lock cases are made of high graded steel and treated against corrosion.
- The lock cases are equipped with patent holes for security furniture.
- Forend 24 mm x 245 mm. Other forend dimensions on request (16, 20 and 22 mm).
- The versions with rollerbolt are suitable for shop doors and similar. The door can be opened without using the lever.
- The 9500 series is equipped with a steel zinc-plated forend and die-cast zinc-plated bolts.
- The 9600 series is equipped with a stainless steel front plate and die-cast bright nickel-plated bolts.



Door lock (latch and dead bolt)



- Suitable for innerdoors and entrance doors.
- Reversible latch bolt.
- Backset 25, 30, 35, 40 and 45 mm.
- Distance 92 mm.
- Additional to order: strike plate P9500/12 (zinc-plated) or P9600/17 (stainless steel).
- U-forend on request.

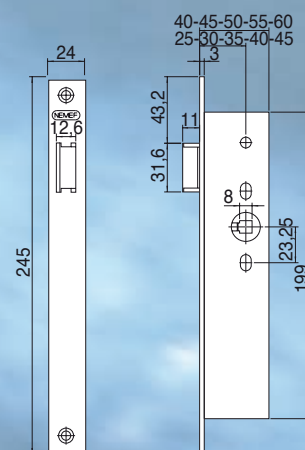


	Article	9500	9600*
Forend steel zinc-plated		•	
Forend stainless steel			•
Latch bolt die-cast zinc-plated		•	
Latch bolt die-cast bright nickel-plated			•
Dead bolt die-cast zinc-plated		•	
Dead bolt die-cast bright nickel-plated			•

Latch



- Suitable for innerdoors and entrance doors.
- Reversible latch bolt.
- Backset 25, 30, 35, 40 and 45 mm.
- Additional to order: strike plate P635/12 (zinc-plated) or P635/17 (stainless steel).



	Article	9520	9620
Forend steel zinc-plated		•	
Forend stainless steel			•
Latch bolt die-cast zinc-plated		•	
Latch bolt die-cast bright nickel-plated			•

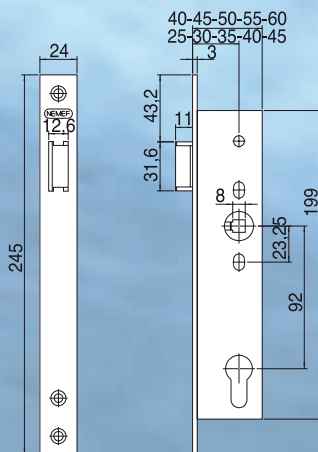
* /08 versions are fire-resistant (CE approved).

Narrow-style locks

Night latch



- Suitable for central access doors and emergency exits. In combination with knob-lever furniture and profile cylinder.
- Reversible latch bolt.
- Backset 25, 30, 35, 40 and 45 mm.
- Distance 92 mm.
- Additional to order: strike plate P635/12 (zinc-plated) or P635/17 (stainless steel).

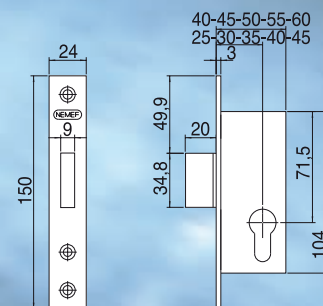


	Article	9530	9630
Forend steel zinc-plated		●	
Forend stainless steel			●
Latch bolt die-cast zinc-plated		●	
Latch bolt die-cast bright nickel-plated			●

Mortise dead lock (small case)



- Suitable for innerdoors and entrance doors.
- Non-handed.
- Backset 25, 30, 35, 40 and 45 mm.
- Additional to order: strike plate P636/12 (zinc-plated) or P636/17 (stainless steel).

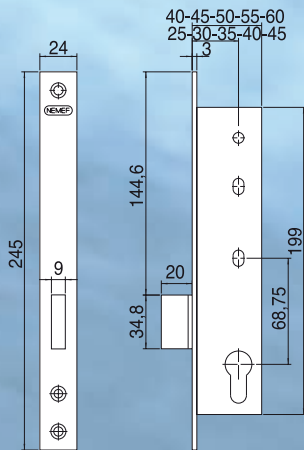


	Article	9540	9640
Forend steel zinc-plated		●	
Forend stainless steel			●
Dead bolt die-cast zinc-plated		●	
Dead bolt die-cast bright nickel-plated			●

Mortise dead lock (large case)



- Suitable for innerdoors and entrance doors.
- Non-handed.
- Backset 25, 30, 35, 40 and 45 mm.
- Additional to order: strike plate P636/12 (zinc-plated) or P636/17 (stainless steel).

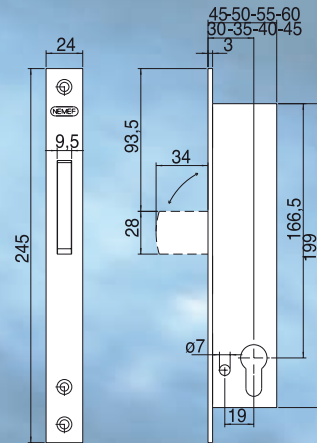


	Article	9550	9650
Forend steel zinc-plated		●	
Forend stainless steel			●
Dead bolt die-cast zinc-plated		●	
Dead bolt die-cast bright nickel-plated			●

Mortise dead lock with pivot dead bolt



- Suitable for innerdoors and entrance doors.
- Non-handed.
- Backset 30, 35, 40 and 45 mm.
- Additional to order strike plate P1205/17 (stainless steel).



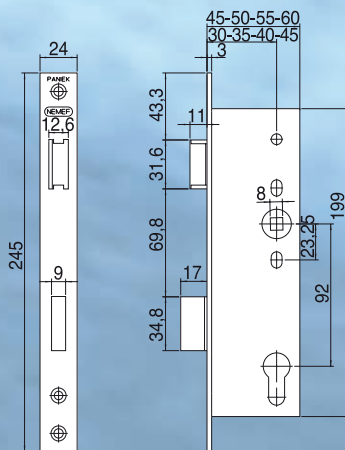
	Article	9560	9660
Forend steel zinc-plated		●	
Forend stainless steel			●
Pivot dead bolt steel zinc-plated		●	

Narrow-style locks

Anti-panic lock



- Suitable for innerdoors and entrance doors.
- Reversible latchbolt.
- Backset 30, 35, 40 and 45 mm.
- Distance 92 mm.
- With one-piece or two-piece follower 8 or 9 mm.
- Additional to order: P9600/17 (stainless steel).
- CE approved (EN179)



Article	9670*
Forend stainless steel	•
Lach bolt die-cast bright nickel-plated	•
Dead bolt die-cast bright nickel-plated	•

* /08 versions are fire-resistant (CE approved).

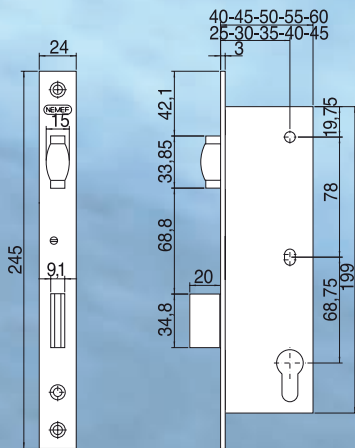
CE Approval



Rollerbolt lock with deadbolt



- Suitable for innerdoors and entrance doors for the commercial market.
- Non-handed.
- Backset 25, 30, 35, 40 and 45 mm.

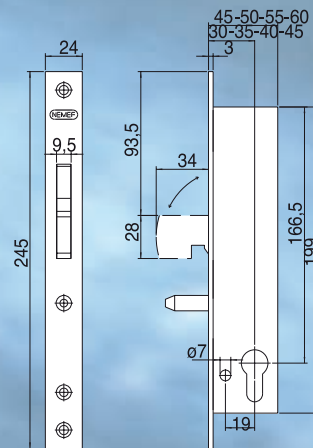


	Article 9580	9680
Forend steel zinc-plated	•	
Forend stainless steel		•
Rollerbolt brass nickel-plated		•
Dead bolt die-cast zinc-plated	•	
Dead bolt die-cast bright nickel-plated		•
Rollerbolt brass zinc-plated	•	

Hook bolt lock with security pin



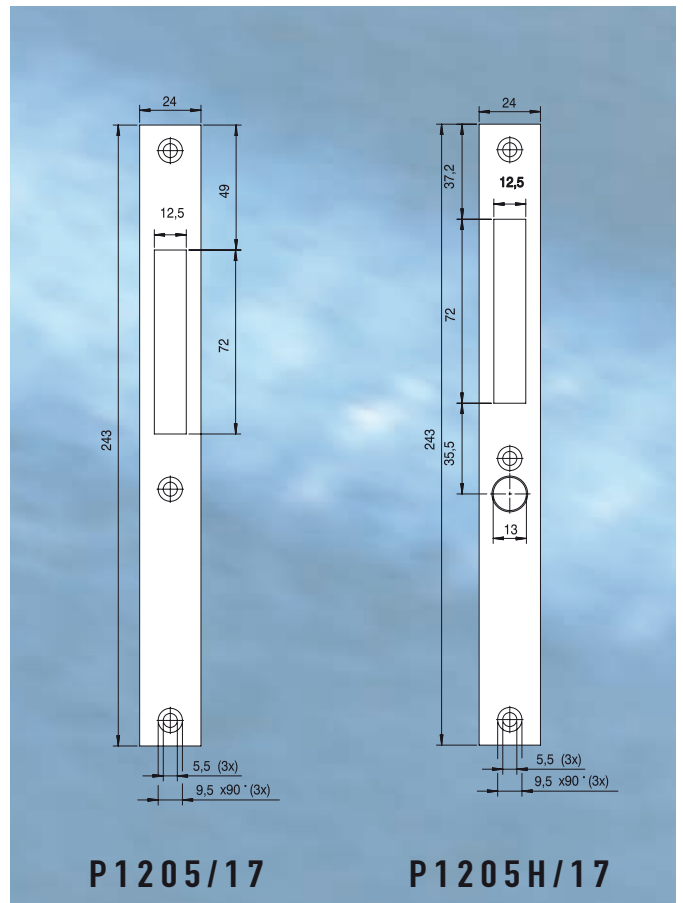
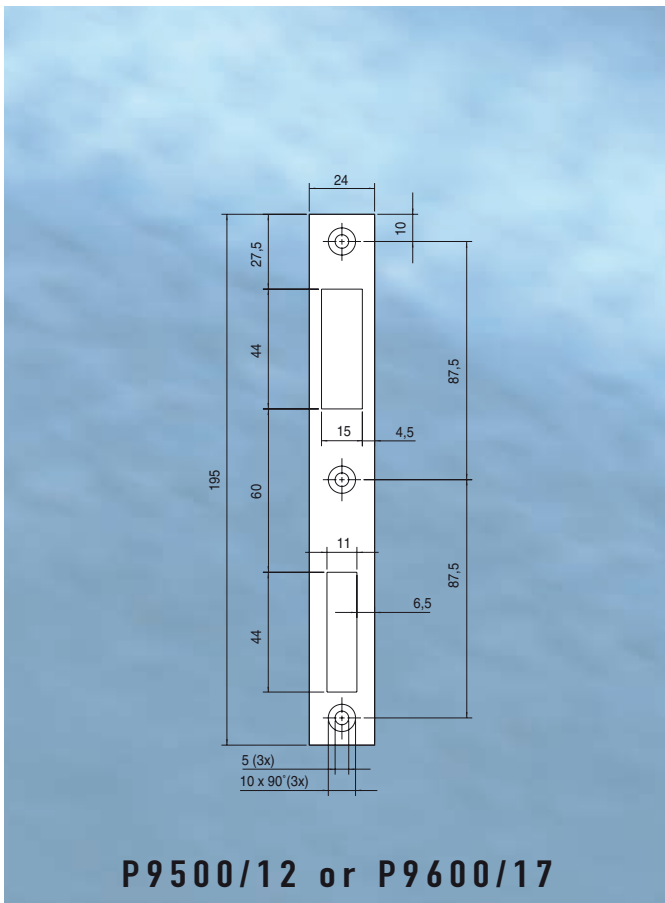
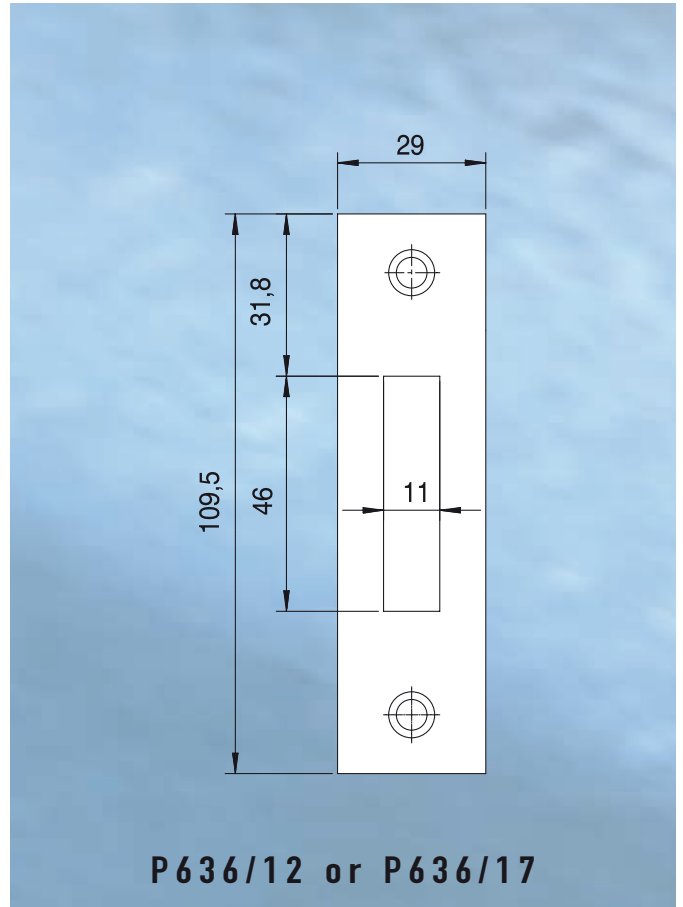
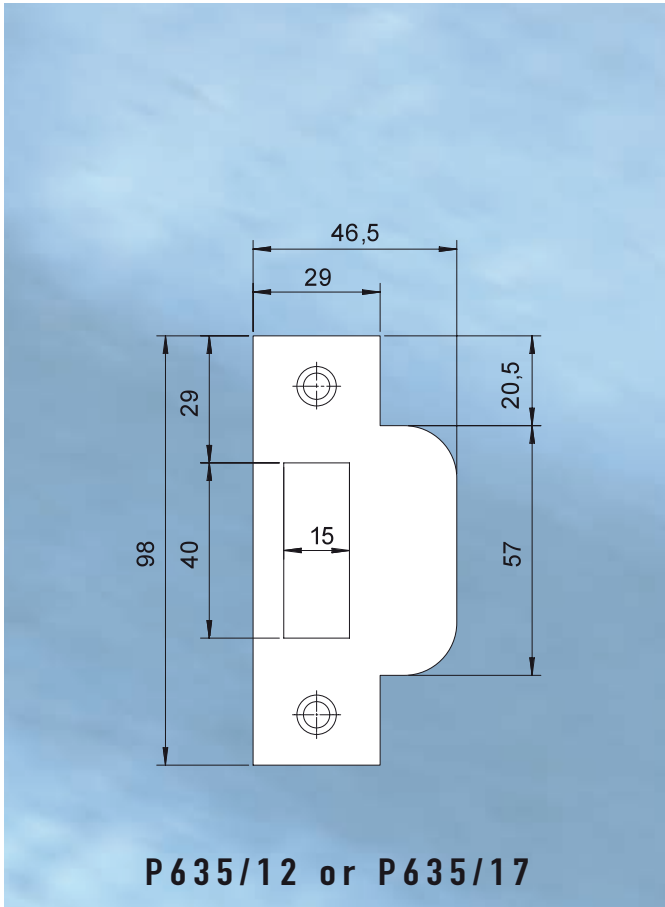
- Suitable for innerdoors and entrance doors.
- Extra security pin which makes it impossible to lift the door.
- Non-handed.
- Backset 30, 35, 40 and 45 mm.
- Additional to order strike plate P1205H/17 (stainless steel).
- The 9700 series is without security pin.



	Article 9590	9690	9790
Forend steel zinc-plated	•		
Forend stainless steel		•	•
Hook bolt steel zinc-plated with security pin	•	•	
Hook bolt steel zinc-plated without security pin and hacksaw resistant			•

Narrow-style locks

Strike plates





JJP Branding & Marketing / 9999990451 september 2008

ASSA ABLOY is the global leader in door opening solutions, dedicated to satisfying end-user needs for security, safety and convenience.



ASSA ABLOY