

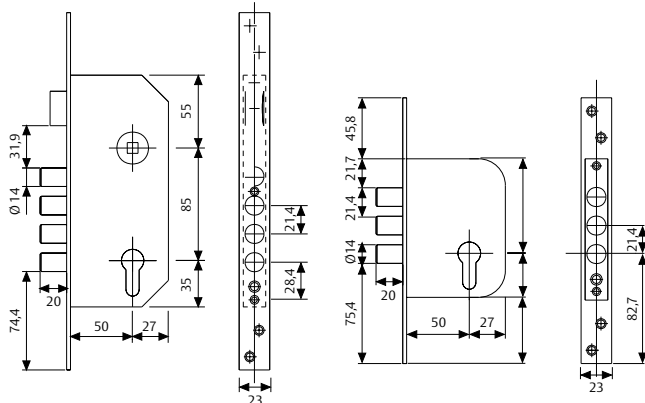
Single point mortise locks

R200B - R20AB - R201B series

- » Four roller bolts in nickel plated steel. Ø 14mm. diameter.
- » Three roller bolts in R101B and R201B model.
- » Mechanisms protected in zinc plated steel closed case in R200B model and galvanised steel closed case in R100B model.
- » R201B and R101B have open cases that include top and bottom protective lids.
- » Models R200B and R201B include E700L security escutcheon.
- » Models R100B and R101B include E300L security escutcheon.
- » Locks with rounded edge faceplate and strike plates are also available.
- » Single hole strike plates are also available (One single hole in the strike for the four roller bolts)
- » Panic model also available (R20AB).
- » Anticard latchbolt available (R200B).

R200B - R201B

Cylinder	Backset	Finish	Product code	Product code
T60	60	50	LT	R200B566L R201B566L
T60	60	50	AI	R200B566AI R201B566AI
T60	60	50	LN	R200B566N R201B566N
T60	70	50	LT	R200B567L R201B567L
T60	60	50	NE	R200B566NE
T60	60	60	LT	R200B666L R201B666L
T60	60	50	LA	R200B566LA
S/C	--	50	LT	R200B5SCL R201B5SCL
S/C	--	50	LA	R200B5SCLA R201B5SCLA
S/C	--	50	LN	R200B5SCN R201B5SCN
S/C	--	50	NE	R200B5SCNE



R200B
R20AB

R201B



Included escutcheon E700L