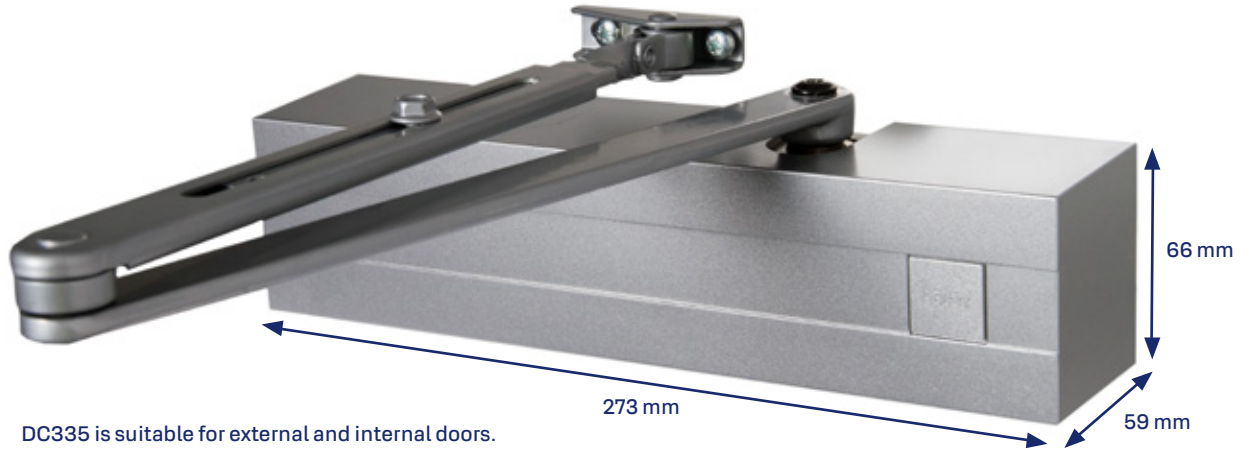


# ABLOY® DC335 door closer



DC335 is suitable for external and internal doors. Maximum door weight 100 kg and door leaf width 1250 mm with a standard arm installation.

## Features

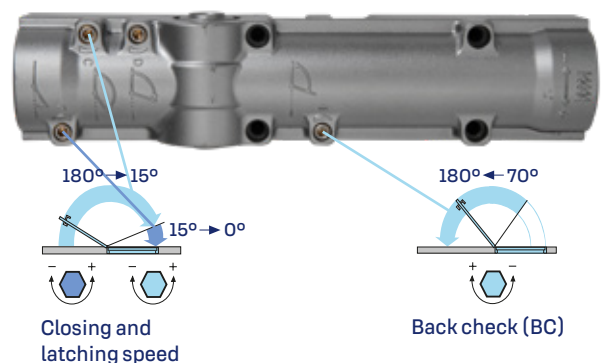
- Adjustable closing force size EN 3-5 with the standard arm according EN1154
- Separate adjusting valves for closing and latching speed
- Back check (BC) as a standard feature
- Comprehensive operating temperature range: -35oC... +45oC
- Adjustable latching and back check starting angle because of the grooved spindle
- Easy adjustment of arm height (14 mm)
- Two pressure relief valves to protect against abuse
- Die-cast aluminium body manufactured from high performance silicon alloy

## WHEN ORDERING, PLEASE SPECIFY

- Door closer model and colour e.g. DC335 (silver)
- Quantity
- Arm type and colour e.g. DC190 silver
- The arm is not included in the delivery or price of the door closer.
- Mounting plate e.g. DC130

## Adjustment

Back check (BC) as a standard feature





**DC335 door closer installation with arms DC190, DC199, DC191 (EN3-5)**

