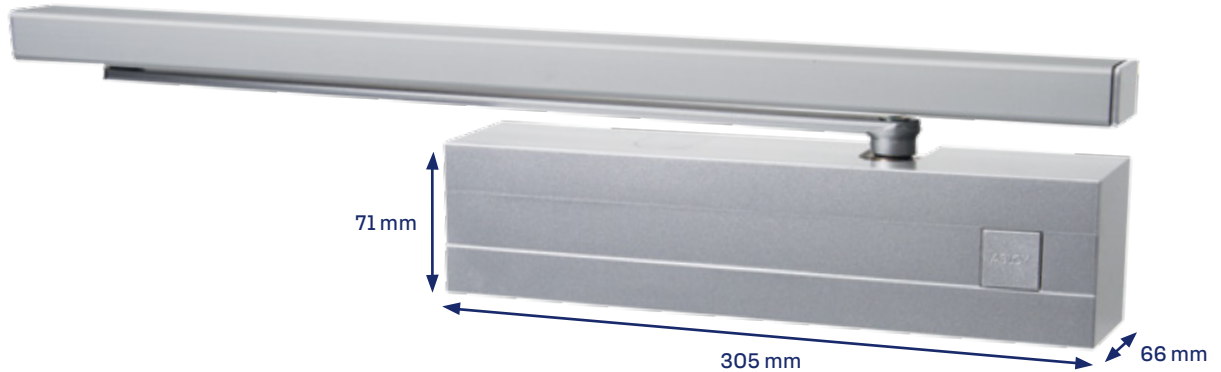


ABLOY® DC250 door closer



ABLOY DC250 is non-handed cam action door closer and therefore very easy to install. Thanks to the cam construction it is extremely light to open, yet in terms of closing force strong enough for heavy duty applications. Suitable for external and internal doors. Compatible with ABLOY FD460 series fire door closing systems. Maximum door weight 120 kg and door leaf width 1400 mm with guide rail installation.

Features

- CE certified with guide rail
- Adjustable closing force size EN 1-6 with guide rail according EN1154
- Separate adjusting valves for closing and latching speed
- Back check (BC) as a standard feature
- Delayed closing (DA) as an option
- Wide operating temperature range: -15°C...+45°C

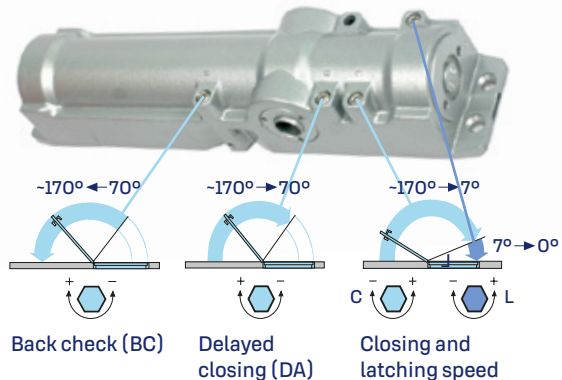
- Adjustable latching and back check starting angle because of the grooved spindle
- Easy adjustment of arm height (14 mm) In addition, the guide rail has an additional 2mm height adjustment
- Two pressure relief valves to protect against abuse
- Die-cast aluminium body manufactured from high performance silicon alloy

WHEN ORDERING, PLEASE SPECIFY

- Door closer model and colour e.g. DC330 (silver)
- Quantity
- Arm type and colour e.g. DC195 silver
- The arm is not included in the delivery or price of the door closer.
- Mounting plate e.g. DC130

Adjustment

Back check (BC) as a standard feature and Delayed closing (DA) as an optional feature





DC250 door closer installation with arm DC195

