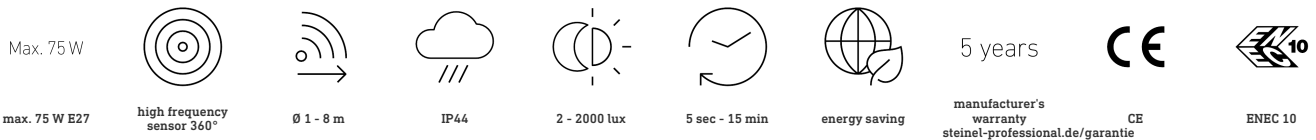


# RS 10 L

EAN 4007841 730512  
Article number 730512



## Function description

Classy and powerful. High-frequency SensorLight RS 10 L, ideal for stairwells and corridors, for E 27 lamps, matt opal glass shade, 360° detection, reach setting 1 – 8 m, selectable time and twilight threshold.

## Technical specifications

Dimensions (Ø x H)	280 x 110 mm
Mains power supply	230 – 240 V / 50 Hz
Sensor Technology	High frequency
Transmitter power	
HF-system	5,8 GHz
Output	75 W
Power consumption	1,1 W
Switching output 1, resistive	800 W
Interconnection	Yes
Type of interconnection	Master/master
Interconnection via	Cable
With lamp	No
Lamp	All-purpose lamp
Base	E27
With motion detector	Yes
Detection	also through glass, wood and stud walls
Detection angle	360 °
Angle of aperture	160 °
Capability of masking out individual segments	No
Electronic scalability	Yes

Mechanical scalability	No
Reach, radial	Ø 8 m (50 m <sup>2</sup> )
Reach, tangential	Ø 8 m (50 m <sup>2</sup> )
Continuous light	selectable
Photo-cell controller	Yes
Twilight setting	2 – 2000 lx
Time setting	5 s – 15 Min.
Basic light level function	No
Soft light start	No
Impact resistance	IK03
IP-rating	IP44
Protection class	II
Ambient temperature	-20 – 40 °C
Housing material	Aluminium
Cover material	Glass opal
Manufacturer's Warranty	5 years
Settings via	Potentiometers
With remote control	No
Installation site	wall, ceiling
PU1, EAN	4007841730512

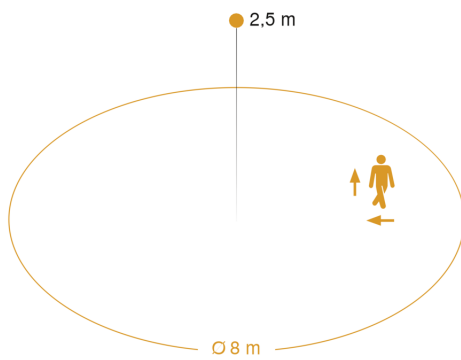
# RS 10 L

EAN 4007841 730512  
Article number 730512

## Accessories

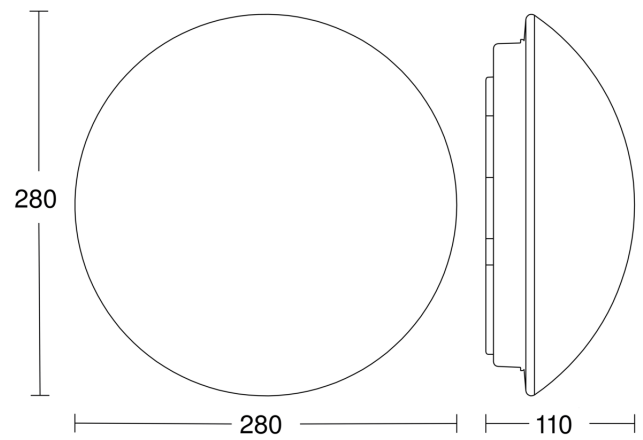
EAN 4007841 001810 Replacement glass shade for RS 10

## Detection Zone

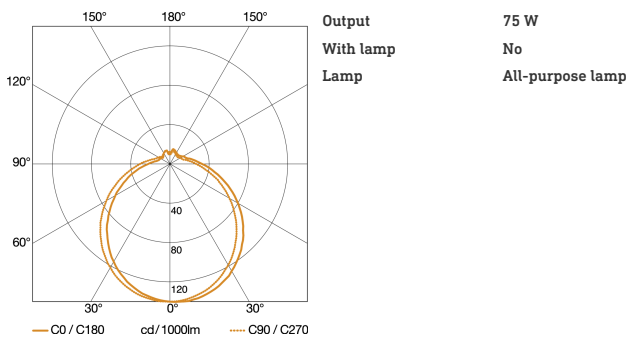


Mögliche Montagehöhe: 2,00 m – 4,00 m  
Orange: radial und tangential

## Dimension Drawing



## Light Distribution Curve



## Master circuit diagram

