



MULTIPURPOSE HINGED DOOR
SMART MODEL

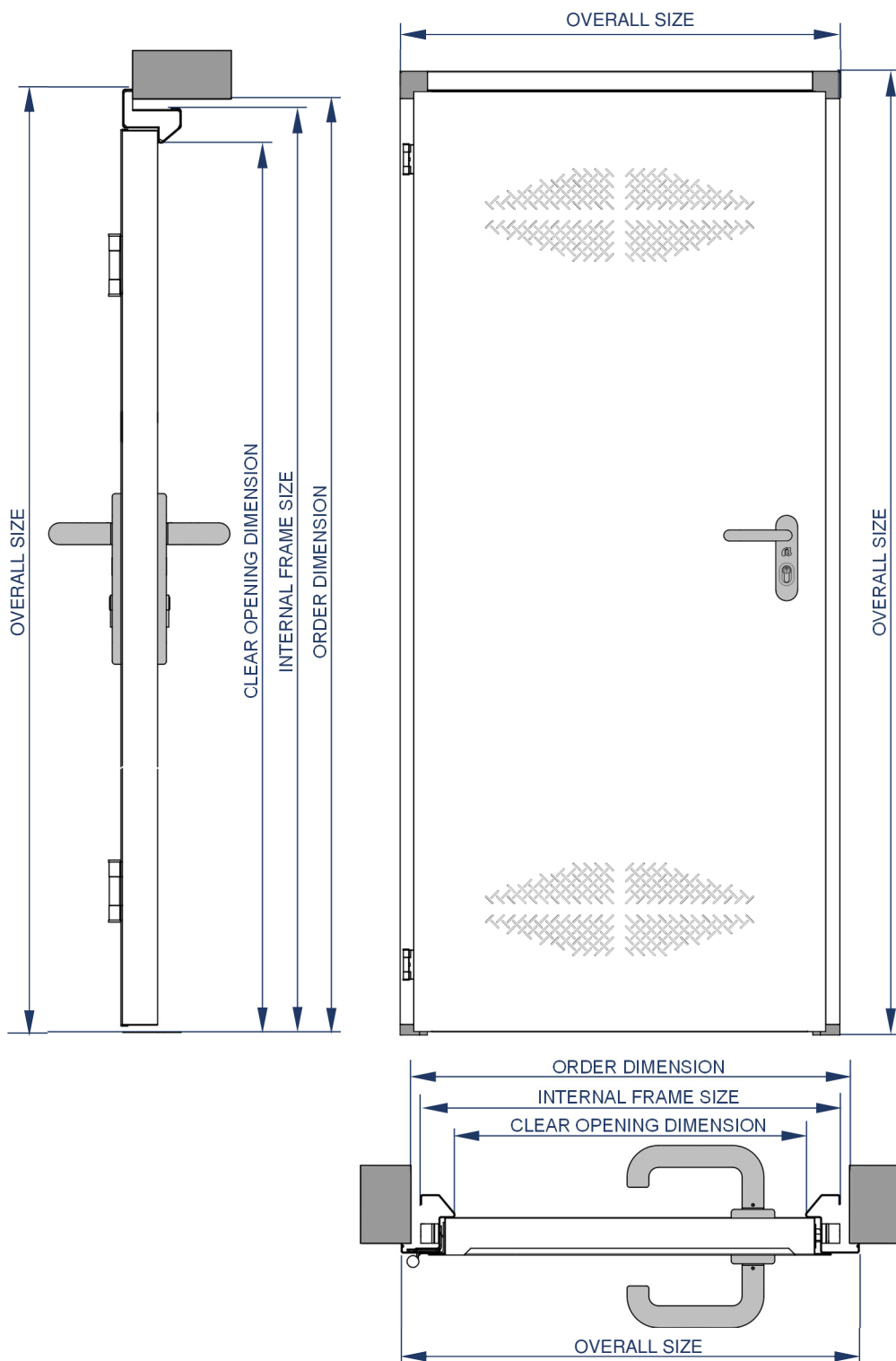
GENERAL DESCRIPTION

Swing, pivoting and reversible metal door, belonging to the Multipurpose Family.

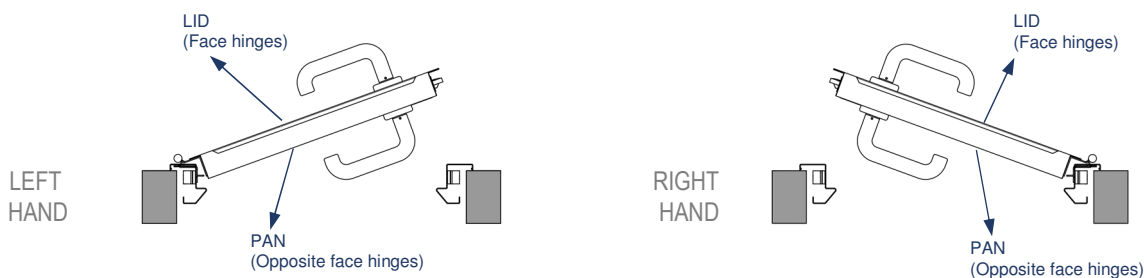
NOMENCLATURE

Interpretation of the nominal size of the door described in mm.

| FRAME | NOMINAL SIZE |
|-------|---|
| CS4 | Frame Internal Measurement +20 mm in width x Frame Internal Measurement +10 mm in height. Example: 890x2045 CS4. |



DOOR OPENING



STANDARD SIZES

| FRAME CS4 | NOMINAL SIZE | CLEAR OPENING | INT. FRAME | OVERALL SIZE |
|-----------|--------------|---------------|------------|--------------|
| 690 | 690 x 2045 | 600 x 2000 | 670 x 2035 | 710 x 2055 |
| 790 | 790 x 2045 | 700 x 2000 | 770 x 2035 | 810 x 2055 |
| 890 | 890 x 2045 | 800 x 2000 | 870 x 2035 | 910 x 2055 |
| 990 | 990 x 2045 | 900 x 2000 | 970 x 2035 | 1010 x 2055 |

FINISHES

- Andreu white pre-lacquered finishes and galvanized steel.



PRE-LACQUERED
WHITE ANDREU



STEEL
GALVANIZED

LEAF

HANDLE SHIELD

Ø 20 mm handle and 9 mm spindle.

Nylon handle with keyhole 72 mm.



HINGES

Self-made book-type hinges with integrated anti-crow bar bolts.



LOCK

Reversible Lock with keyhole 72.



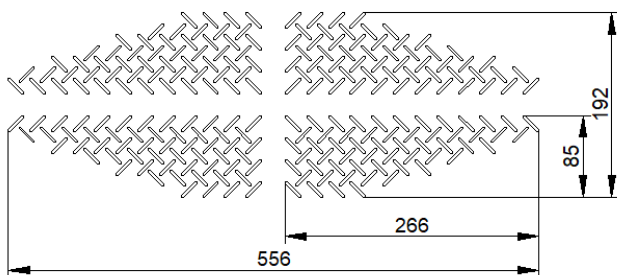
CYLINDER

European profile cylinder.



VENTILATION

Upper and lower ventilation.



PAN
(Opposite face hinges)

LID
(Face hinges)

LEAF CHARACTERISTICS

| | |
|---------------------------|---|
| Leaf thickness | 38 mm. |
| Overlap Type | Overlap 17 ± 1 mm wide and 1.5 ± 0.5 mm thick. |
| Ventilation | With or without ventilation. |
| Hinges | 2 Hinges. |
| Material Type / Thickness | Galvanized steel 0.45 ± 0.45 mm thick. |
| Available finishes | Pre-lacquered Wh-A. Galvanized steel. |
| Internal Fill | Honeycomb cardboard. |
| Anti-crow bar bolts | 2 Anti-crow bar bolts integrated in the hinges. |
| Locking points | 1 Locking point. |

FRAME

UNION BRACKET

Height and width joining system using nylon brackets.



CARTER LATCH PROTECTION

Polypropylene latch protection.



ANCHORING SYSTEM

Steel anchoring system or screwed.



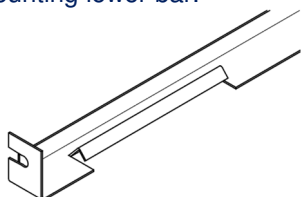
HOLES FOR SCREWED

3 For each side of the frame.



LOWER BAR

Mounting lower bar.



LOWER DOOR SILL

Nylon long heels.

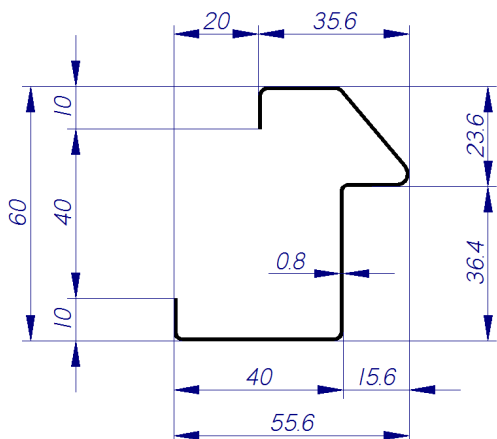


FRAME FEATURES

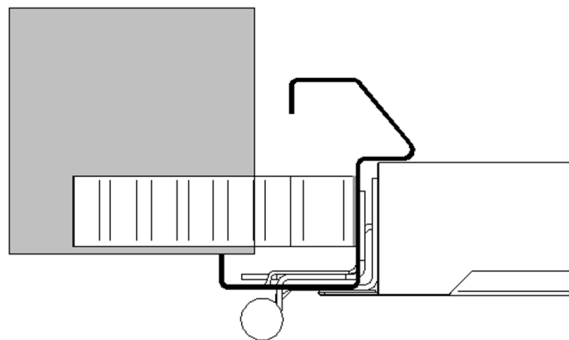
| | |
|--|--|
| Frame | CS4 Frame. |
| Material Type / Thickness | 0.8 mm thick galvanized steel. |
| Available Finishes | Galvanized steel. Pre-lacquered White Andreu. |
| Anchorage System | Stell anchors / screwed system. |
| Lock lodging | Polypropylene latch protection. |
| Assembly System Height-width joint type | By means of upper joint brackets and lower bars that allow the reversibility of the frame. |

FRAME

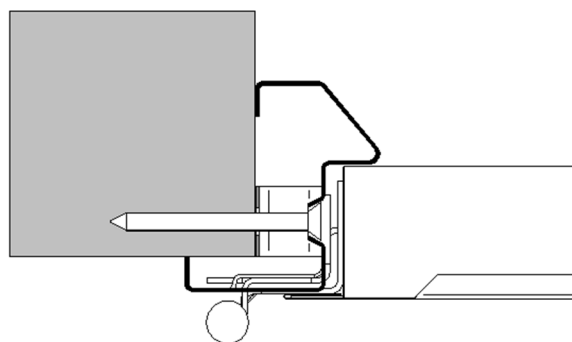
- Frame Model **CS4**, corner frame.



Section Frame CS4

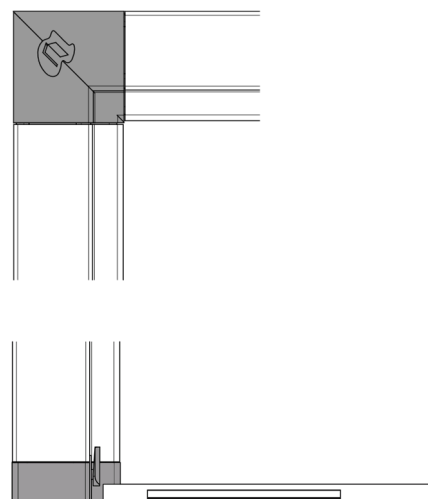
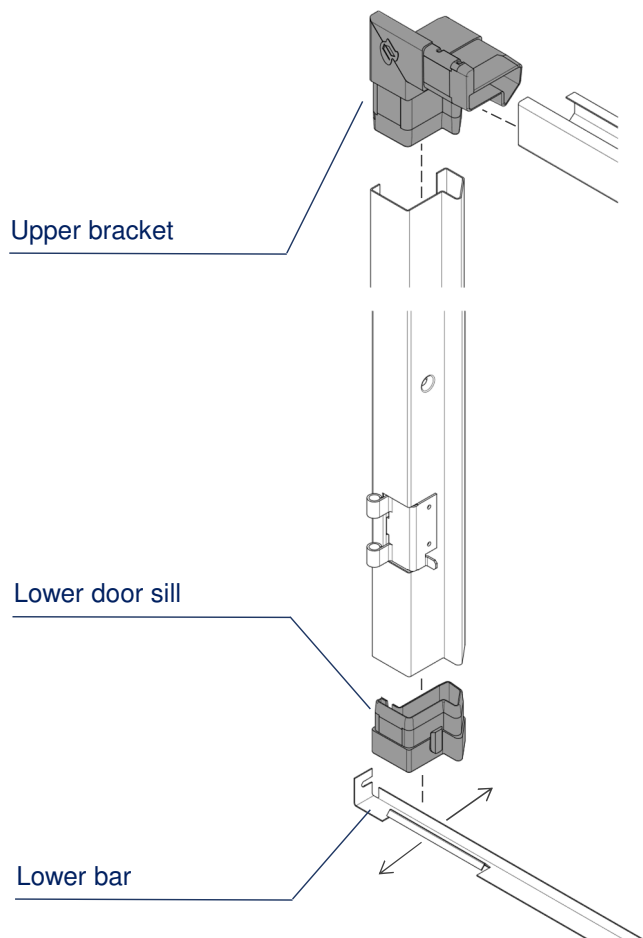


Steel Anchors installation



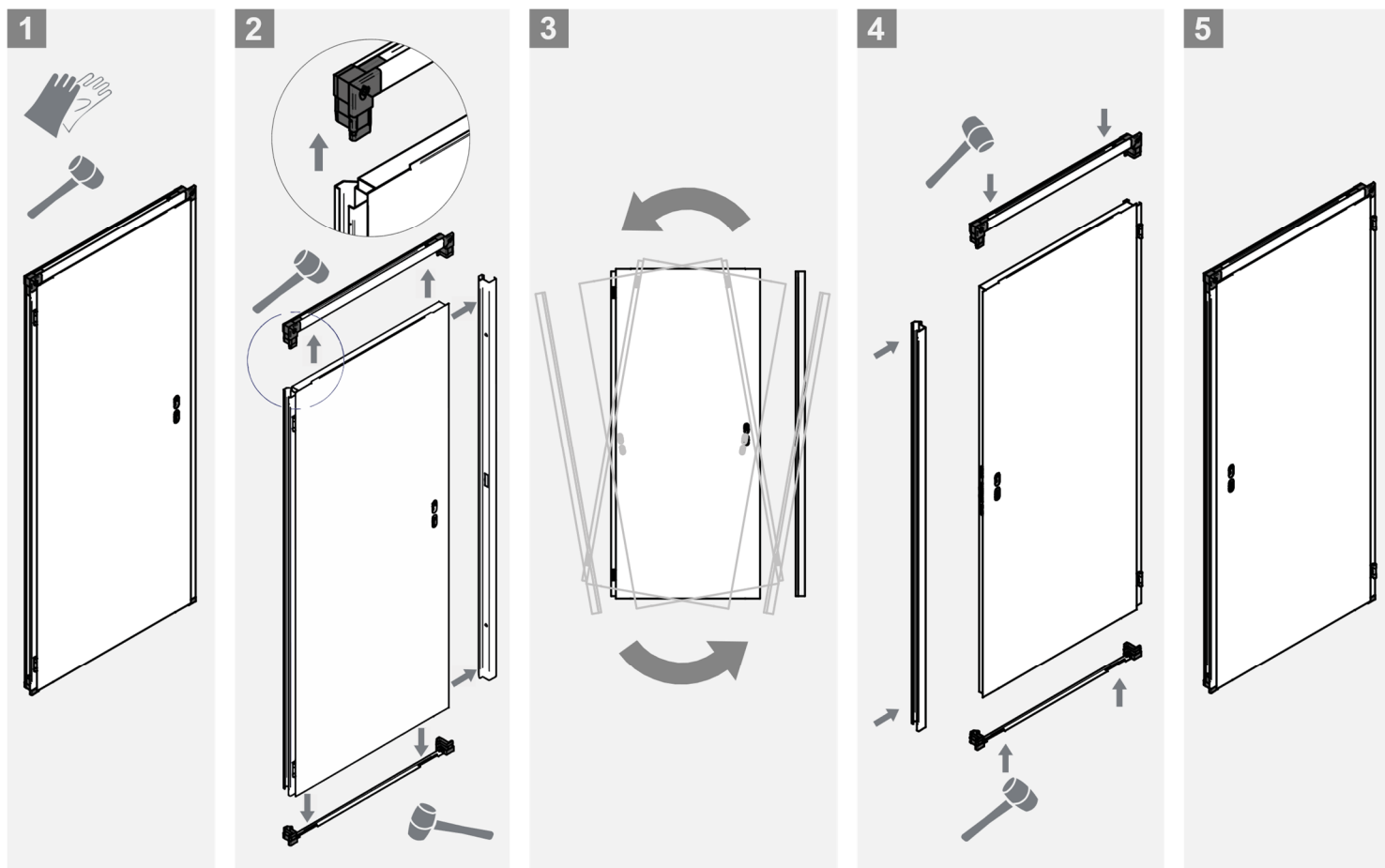
Screwed installation

Assembly using upper and lower brackets that allow the reversibility of the frame.

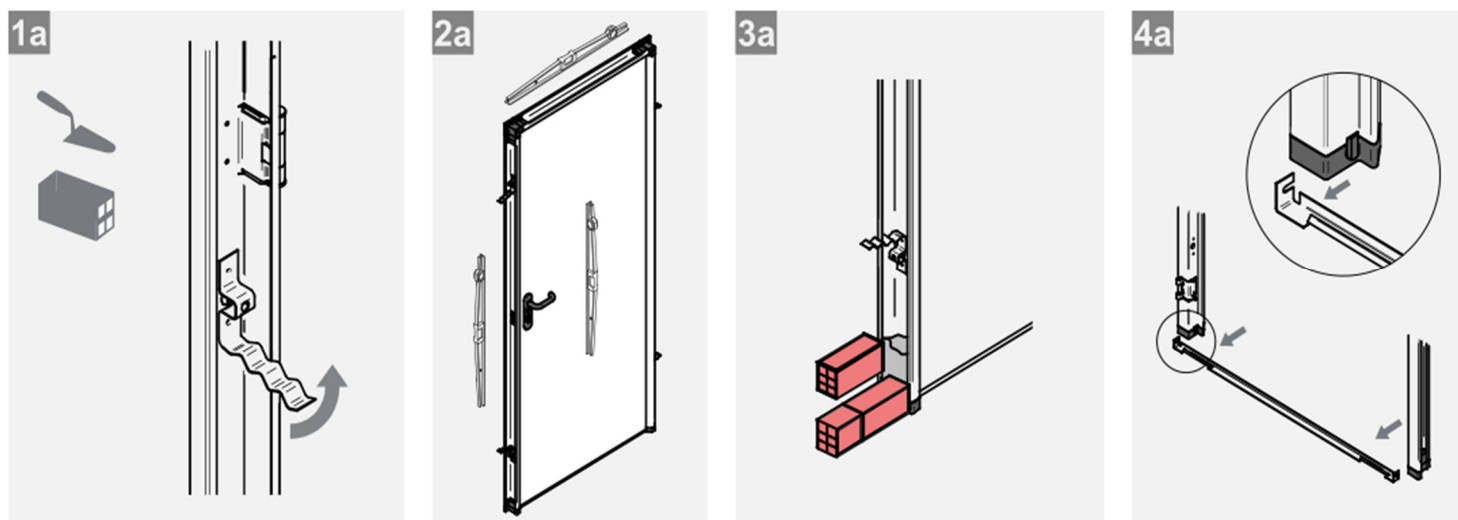


INSTRUCTIONS

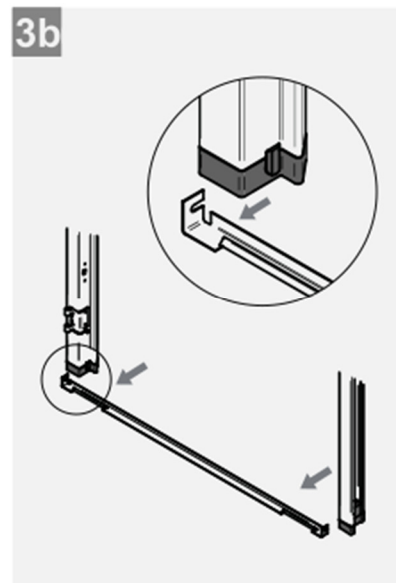
■ Opening sense instructions.



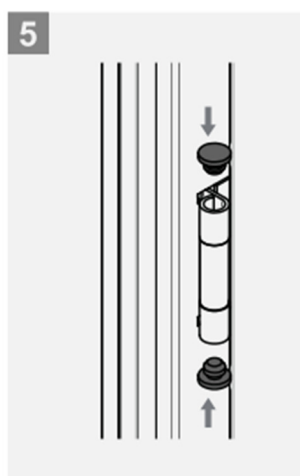
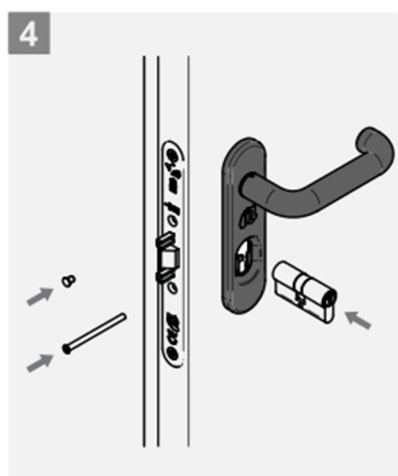
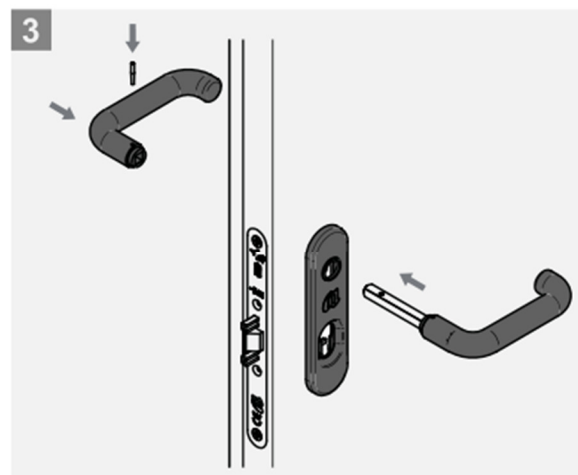
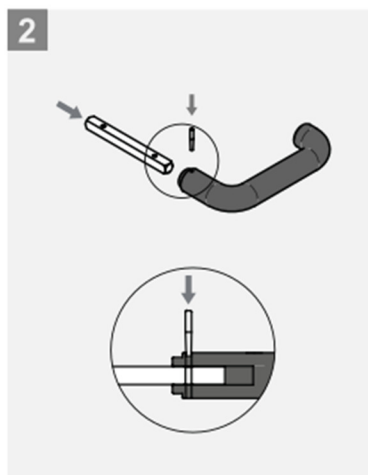
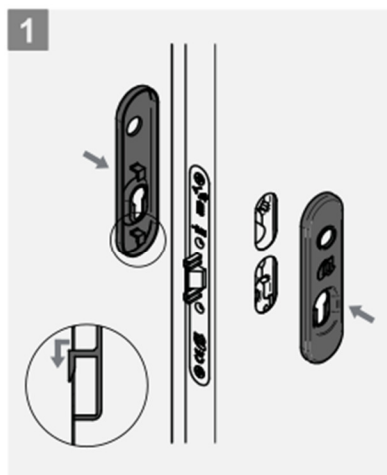
■ Steel anchors installation.



■ **Screwed installation.**



■ **Handlebar Installation.**



■ **Installation.**

Store in a place protected from atmospheric agents. Before installing, if they are subjected to rain or snow, remove the packaging and place it in an upright position to dry. If you suspect that the product may be defective, do not install or use. Communicate it immediately to Andreu Barberá S.L.

Galvanized steel is highly resistant to corrosion, excellent for normal environmental conditions. Its behavior worsens in closed rooms without ventilation, with high temperatures or high humidity. Do not use mortars containing plaster or its derivatives. It attacks steel very aggressively and accelerates its corrosion.

■ **Maintenance.**

Andreu Barberá S.L. recommends servicing at least every 15,000 openings or once a year. Keep the latch bolt, lock crowbar and hinges lubricated.

PACKAGING

- VERTICAL PALLETIZING



SIMPLE PALLET

| | |
|----------------|----------|
| N° Doors | 18 units |
| Pallet width | 1,00 m |
| Long pallet | 1,20 m |
| High pallet | 2,25 m |
| Approx. weight | 425 Kg * |

* SMART pallet of nominal sizes 890x2045.

NORMATIVE

- Product Family: Multipurpose Door (Exterior Pedestrian Door).
- It has CE Marking in accordance with the EN 14351-1: 2006 + A2: 2016 standard.
- The benefits of the CE Marking are detailed in the Declaration of Performance.





andreu
The Steel Door Company