

# Single point mortise locks

## R200N - R201N series

- » Saw-resistant deadbolt reinforced with tempered steel plates and hardened steel security hook.
- » Deadbolt throw: 20mm.
- » Mechanisms protected in zinc plated steel closed case.
- » R201N has open case that includes top and bottom protective lids.
- » E700L security escutcheon. Anti-drill and anti-extraction attack.
- » Solid brass faceplate and brass plated strike plate.
- » Also available with nickel plated faceplate, strike plate and security escutcheon.
- » Locks with rounded edge faceplate and strike plates are also available.
- » Anticard latchbolt available (R200N)

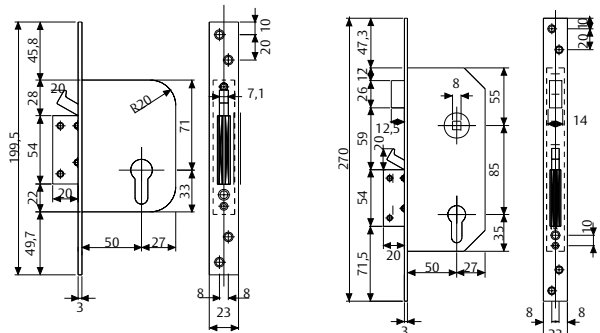


R200N



R201N

Cylinder	mm.	Finish	Backset	Product code	Product code
T60	60	LT	50	R200NT66T	R201NT66T
T60	60	AI	50	R200NT66AI	R201NT66AI
T60	70	LT	50	R200NT67T	R201NT67T
T60	60	LT	50	R206NT66T	
S/C	--	LT	50	R200N00SC	R201N00SC
S/C	--	LN	50	R200N00SN	R201N00SN
S/C	--	LT	50	R206N600SC	



Included escutcheon E700L

## Accessories

Finish TCBA	R200 / R201N		R200B / R201B / R20AB		BR100B / R101B	TCB
Face plate	LT	LN	LT	LN	AE	LT
Strike	HL	HN	HL	HN	AE	HL
Lock case	Galvanised steel	Galvanised steel	Galvanised steel	Galvanised steel	Galvanised steel	Galvanised steel
	E700L	E700L	E700L	E700L	E700L	E700L
Security escutcheon						