

Motion detector

IS 240 DUO

black

EAN 4007841 602710

Article number 602710



infrared sensor
240°



max. 12 m

1000 W

1000 W max.
(LED-ready)



IP54



Sensor 160°
horizontal



2 - 2000 lux



10 sec - 15 min



Ideal 2 m



energy saving

3 years

manufacturer's
warranty
[steinell.de/garantie](https://www.steinell.de/garantie)

Function description

Round the corner. Infrared wall sensor IS 240 DUO, for indoors and out, 240° angle of coverage, reach up to 12 m, selectable time and twilight threshold, detection zone can be customised with shrouds.

Motion detector

IS 240 DUO

black

EAN 4007841 602710

Article number 602710



Technical specifications

Type	Motion detectors	Fluorescent lamps, electronic ballast	1000 W
Dimensions (L x W x H)	100 x 60 x 90 mm	Fluorescent lamps, uncorrected	500 VA
Mains power supply	230 – 240 V / 50 Hz	Fluorescent lamps, series-corrected	500 VA
Sensor Technology	passive infrared	Fluorescent lamps, parallel-corrected	5000 VA
Application, place	Indoors, Outdoors	Switching output 1, low-voltage halogen lamps	1000 VA
Installation site	wall, corner	LED lamps	16 W
Installation	Surface wiring	LED lamps > 2 W	64 W
Mounting height	1,80 – 4,00 m	LED lamps > 8 W	64 W
Reach, radial	r = 5 m (52 m ²)	Capacitive load in µF	132 µF
Reach, tangential	r = 12 m (302 m ²)	Constant-lighting control	No
Detection angle	240 °	Basic light level function	No
Angle of aperture	180 °	Settings via	Potentiometers
Switching zones	276 switching zones	With remote control	No
Optimum mounting height	2 m	Interconnection	Yes
Mechanical scalability	No	Type of interconnection	Master/master
Sneak-by guard	Yes	IP-rating	IP54
Capability of masking out individual segments	Yes	Material	Plastic
Electronic scalability	No	Ambient temperature	-20 – 50 °C
Twilight setting TEACH	No	Application, room	outdoors, front door, all round the building, terrace / balcony, courtyard & driveway
Twilight setting	2 – 2000 lx	Colour	black
Time setting	10 s – 15 Min.	Colour, RAL	9005
Output	1000 W	Manufacturer's Warranty	3 years
Switching output 1, resistive	1000 W	Version	black
Switching output 1, number of LEDs / fluorescent lamps	6 pcs.	PU1, EAN	4007841602710

Accessories

EAN 4007841 630119 Corner wall mount 01

Motion detector

IS 240 DUO

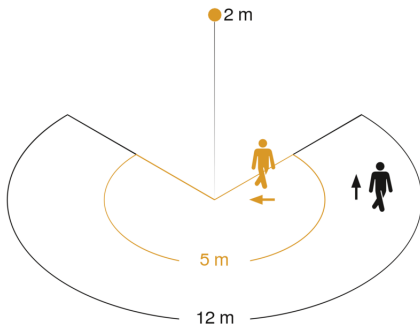
black

EAN 4007841 602710

Article number 602710



Detection Zone

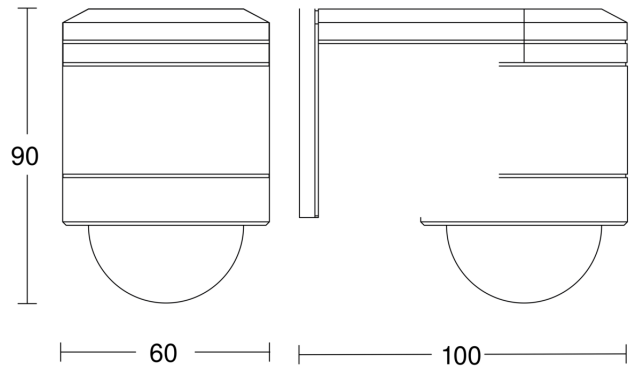


Mögliche Montagehöhe: 1,80 m – 4,00 m

Orange: radial

Schwarz: tangential

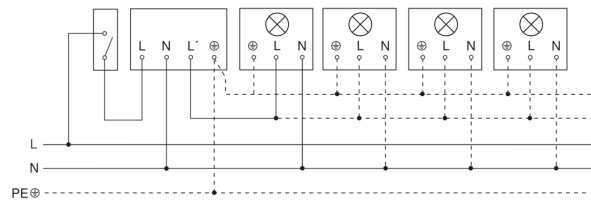
Dimension Drawing



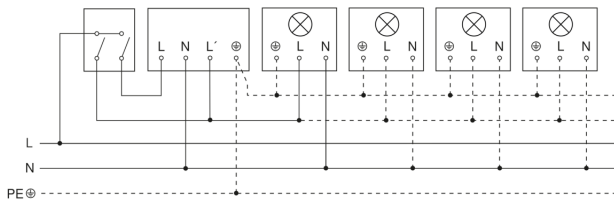
Light without neutral conductor



Light with neutral conductor



Connection using two-circuit switch for manual and automatic operation



Connection via a two-way switch for manual override and automatic operation

