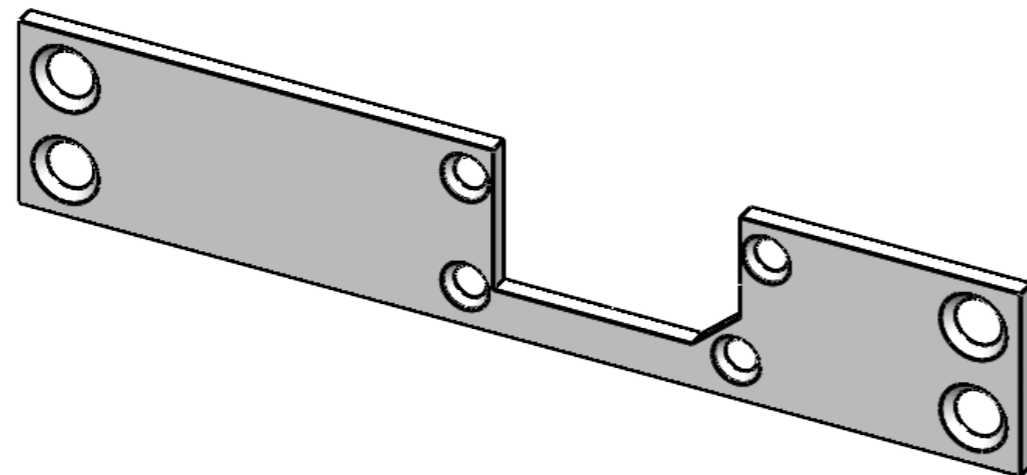


Werkstueckkanten RL 007- 4.3

Oberflaechenrauhigkeit RL 007- 5.1.3.1



1	1	D000376352-001	115.256-00-18	Schliessblech	
pos	qty	document ID	alternate ID	name local language	part number
				ISO 13715 L-0,1 H+0,1	Toleranz allgemein / General Tolerance abweichend von/ divergent from ISO 2768 Nominalbereiche / nominal size range ≤10 >10 - ≤30 >30 - ≤50 >50 0,1 0,2 0,3 0,5
State	Description	Date	Name		
Inspection Dimension				Name local language Schliessblech	Tolerances ISO 2768 m 0,5 > 3 > 6 > 30 > 120 > 400 ... 3 ... 6 ... 30 ... 120 ... 400 ... 1000 ± 0.1 ± 0.1 ± 0.2 ± 0.3 ± 0.5 ± 0.8
Surface treatment: Edelstahl			Material: RL007 - 4.1.2	General tolerance: ISO 8015 ISO 2768-mH	
Volume: 9223.52 mm³	Mass: 71.94 gramm	Surface area: 7850.7 mm²	Created (YYYY-MM-DD): 2022-06-23	Designed by: gisfai	Drawn by: gisfai
ASSA ABLOY ASSA ABLOY Sicherheitstechnik GmbH			Strike plate		Scale: 1:1 (A3)
			Alternate ID -----16335-01		Projection:
			Document ID -----16335-01		Rev.: 1