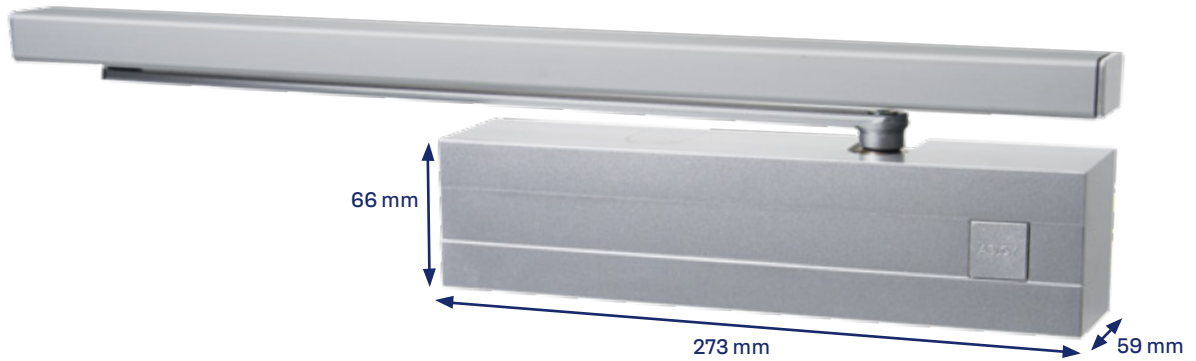


ABLOY® DC330 door closer



Non-handed cam action door closer. Thanks to CAM it is light to open but still strong enough to close the door in every situation. DC330 can be adjusted to meet the requirements of the light opening resistance, for example the EA (Equality Act) in UK. Suitable for external and internal doors. The maximum door weight 80 kg and door leaf width 1100 mm with a guide rail installation.

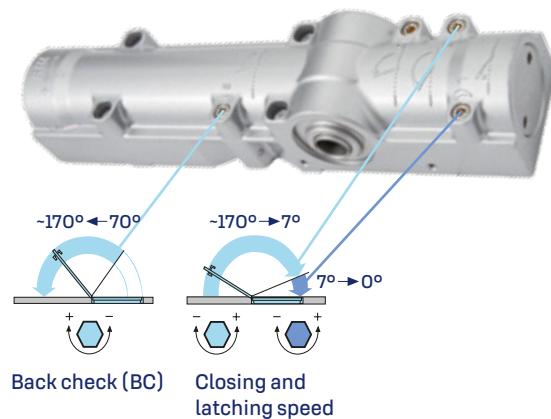
Features

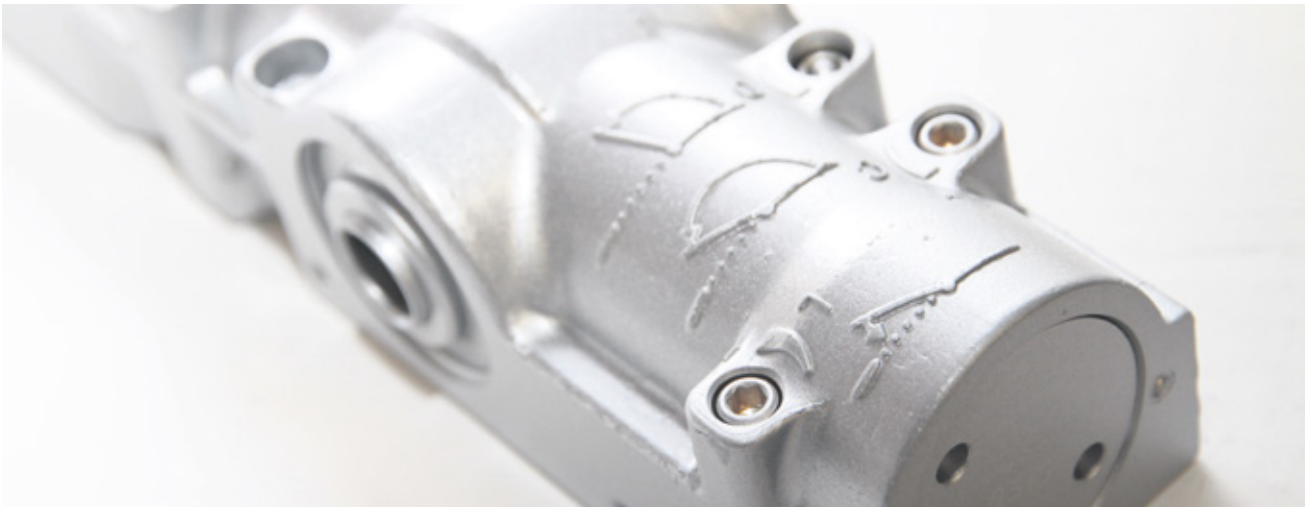
- CE certified with the guide rail
- Adjustable closing force size EN 1-4 with the guide rail according EN1154
- Separate adjusting valves for closing and latching speed
- Back check (BC) as a standard feature
- Wide operating temperature range: -15oC...+45oC
- Adjustable latching starting angle because of the grooved spindle
- Easy adjustment of arm height (14 mm) In addition, the guide rail has an additional 2mm height adjustment
- Pressure relief valve to protect against abuse
- Die-cast aluminium body manufactured from high performance silicon alloy

WHEN ORDERING, PLEASE SPECIFY

- Door closer model and colour e.g. DC330 (silver)
- Quantity
- Arm type and colour e.g. DC195 silver
- The arm is not included in the delivery or price of the door closer.
- Mounting plate e.g. DC130

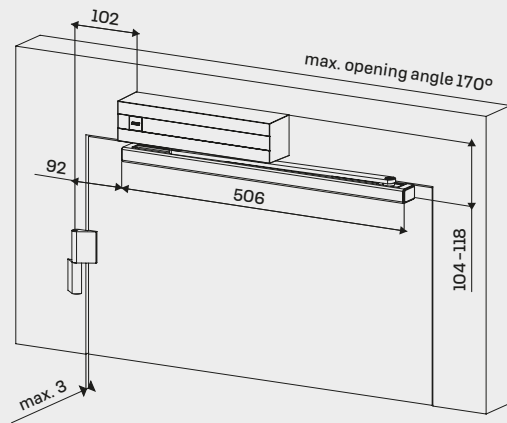
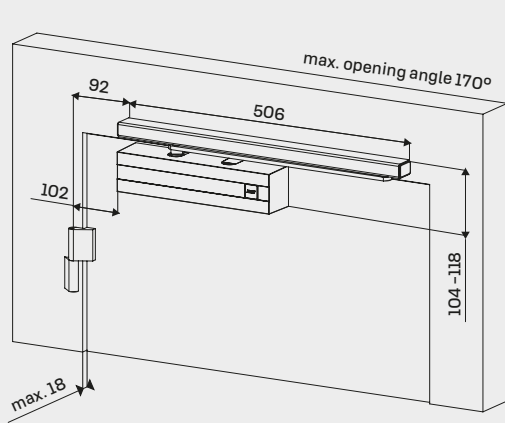
Adjustment





DC330 door closer installation with arm DC195

Opening side



Closing side

