



INFRARED LANTERN

# CAV-W

## CHARACTERISTICS

### DISCRETION AND HARMONY

The aesthetic and discreet integration in any environment makes this security solution neither evident nor conspicuous to possible intruders. The provision of light and its deterrence factor is another obvious benefit.

### APPEARANCE AND CONSTRUCTION

CAV-W's external structure is made of a special polycarbonate based on three objectives: to allow the infrared beams pass through easily, to protect these beams against solar and ultraviolet radiation and to have a strong product able to resist acts of vandalism. The overall appearance is a Black Lantern that disguises the placement of the beams.

CAV-W's internal structure consists of an extruded aluminium profile, giving total flexibility in the positioning of the Twin infrared beams as well as other accessories such as the thermostat, heaters, etc.

### TOTAL FLEXIBILITY

CAV-W is a product that solves a number of aesthetical problems installers encounter when they offer a perimeter protection system.

The structure comfortably enables the installation of a twin beam unit, in any Tx and Rx combination.

### TAMPER PROTECTION

The tops are supplied with a tamper switch as standard to prevent any sabotage.

### HEATERS

In order to obtain an optimal performance in external environments with low temperature conditions and condensation risk, the tower should be fitted with one heater, PTH 12VDC 250mA, and one thermostat, PTS.

### FIXING KIT

A full fixing kit including expandable bolts is included with lamp: Stainless screws, nylock nuts, wall screws, ceramic bulb holder, etc.

An excellent alternative when choosing an infrared lantern to protect the close proximity of any building. CAV-W solves the installation problems often encountered when trying to wall mount on buildings, such as downpipes, bay windows, etc.

This product is able to house most of the Twin photoelectric beams used by most of the manufacturers in the industry. Additionally, its illumination system provides light to the place where it has been installed.



[www.bunkerseguridad.es](http://www.bunkerseguridad.es)

INFRARED LANTERN

# CAV-W



[www.bunkerseguridad.es](http://www.bunkerseguridad.es)

## DIMENSIONS

**External pole :** Ø10cm. (3.94").  
**Top cap:** 25cm. (9.84").  
**Height :** 58.45cm. (23").  
**Width:** 27.4cm (10.8").  
**Weight :** 4Kg.

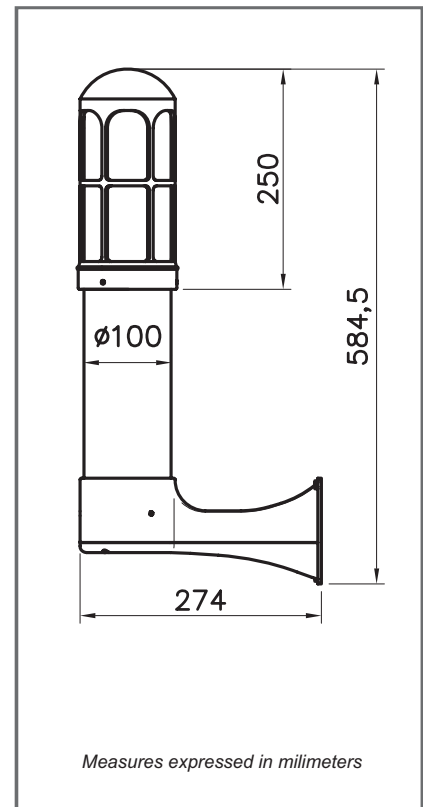
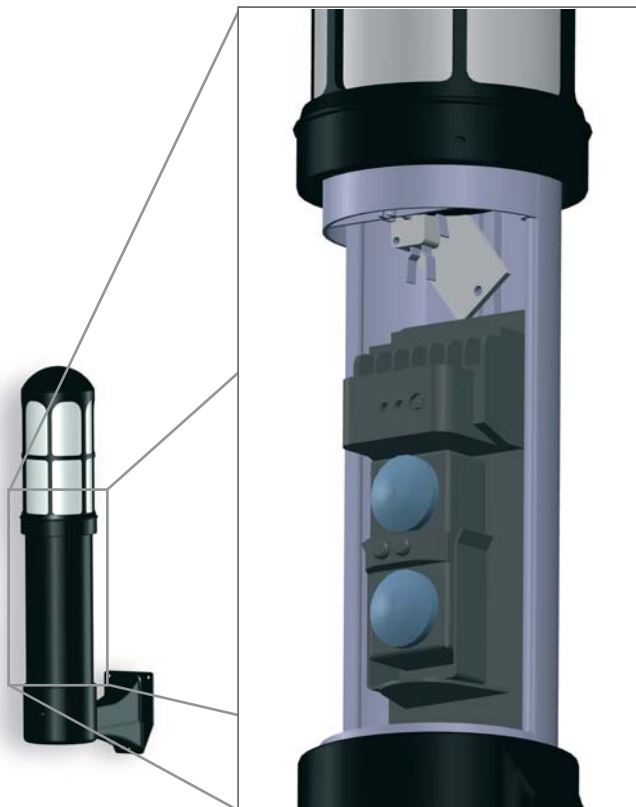
## OPTIONAL ACCESSORIES

**PTH:** 12VDC Heater.  
**PTS:** Thermostat.  
**CAV-W:** Supplied in boxed pairs.

## MATERIALS

- Aluminium structure.
- Black Polycarbonate tube with UV treatment.
- ABS fixing base.
- Polycarbonate top cap.
- Ceramic bulb holder.

\* Bulb not included. Use only **low current** bulbs



Due to on going product improvements, specifications may change without notice.

**Note:** This product is designed to house 3rd. party equipment. It is not a burglar-preventing device. BUNKER is not responsible for damages or losses caused by accidents, thefts, Acts of God (including inductive lightning), abuse, misuse, abnormal use, faulty installation or improper maintenance.

TECHNICAL SPECIFICATIONS

**Bunker Seguridad Electrónica, S.L.**  
C/ Camino de Hormigueras Nº 136  
28031 Madrid - Spain

**Tel:** +34.91.331.63.13  
+34.902.19.66.49  
**Fax:** +34.91.380.66.28  
[info@bunkerseguridad.es](mailto:info@bunkerseguridad.es)