



**iSWITCH**

# SISTEMAS DE GESTIÓN DE ENERGÍA ENERGY MANA- GEMENT SYSTEMS

iSWITCH Enkoa Basic - mechanical  
temporized 1 relay energy saver

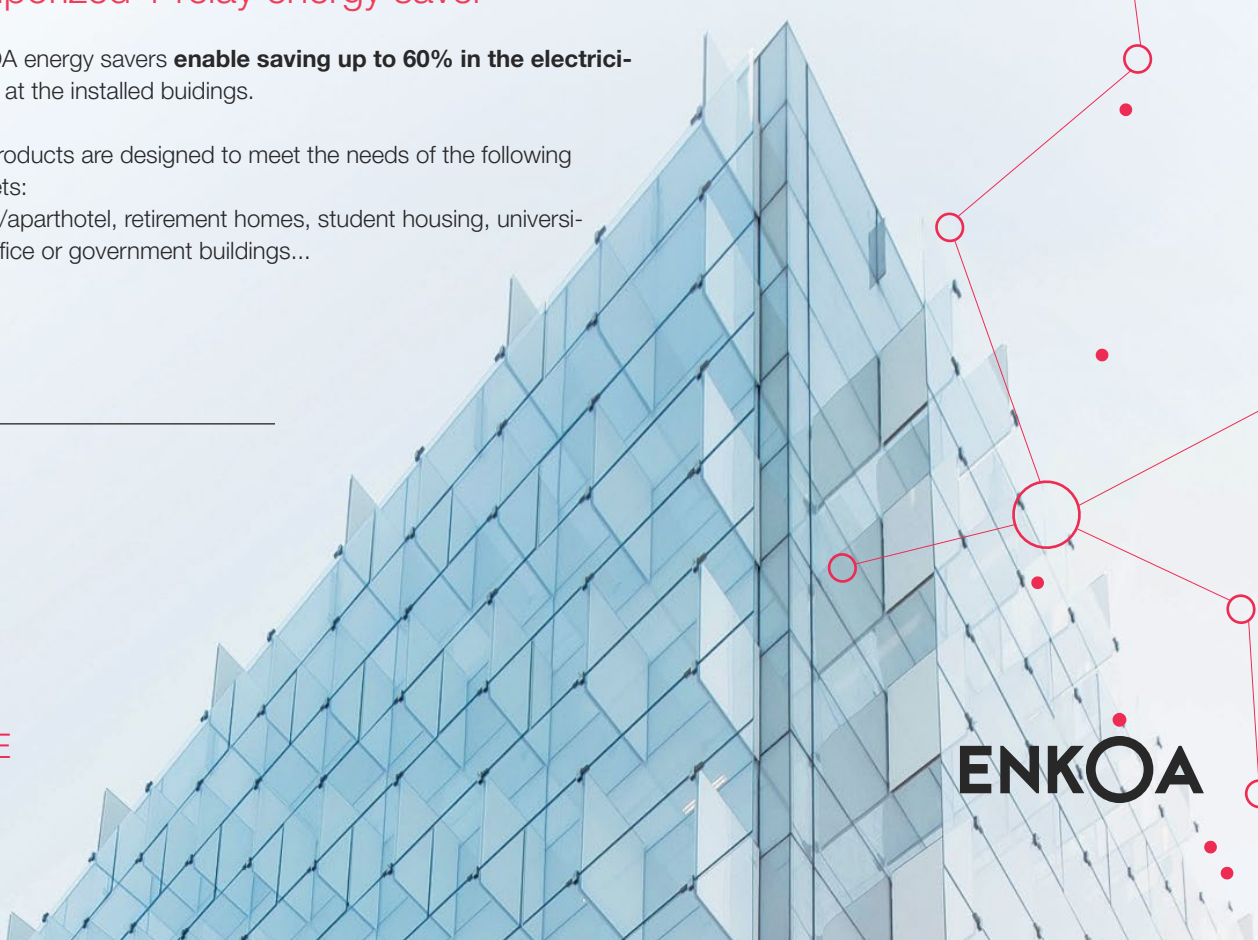
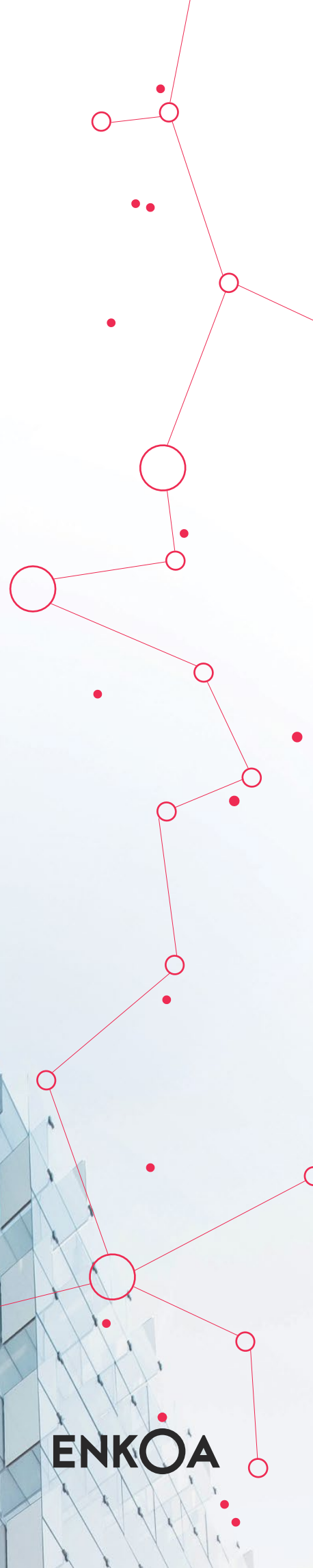
ENKOA energy savers **enable saving up to 60% in the electrici-  
ty bill** at the installed buidings.

Our products are designed to meet the needs of the following  
markets:

hotels/aparthotel, retirement homes, student housing, universi-  
ties, office or government buildings...

WE MAKE  
SENSE

**ENKOA**





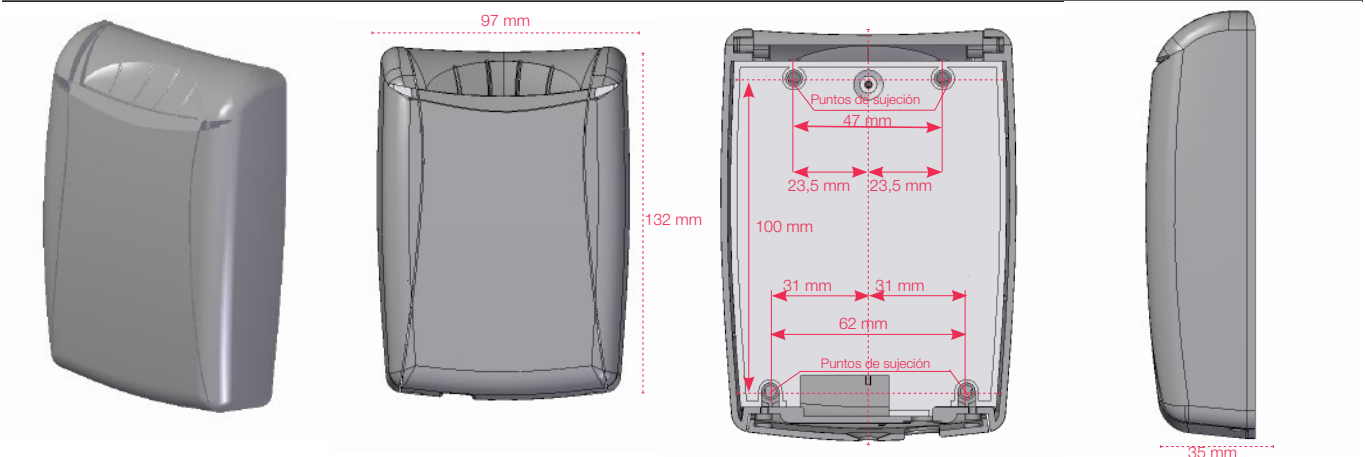
# ISWITCH ENKOA MECHANICAL TEMPORIZED ENERGY SAVER

## Characteristics



DESCRIPTION	iSWITCH Enkoa mechanical temporized 1 relay energy saver
REFERENCE	DEEXx0MT0S
POWER	100 - 240 V ~.
CONSUMPTION	Nominal 30 mA. Max. 50mA ( 240V ~).
OUTPUT RELAY	1 relay: Cutting power: 12 A, 240 V~, cos φ = 1
FREQUENCY	50/60 Hz.
WEIGHT	186 grs.
HOUSING	Fireproof material (according to norm UL 94 V-0)

## Dimensions



## Benefits

**ENERGY SAVING** It turns power off when the guest leaves the room, to prevent from air conditioning, lighting...to be left on.

**MULTIAPPLICATION** . It uses the same credential use for the room access.

**COMFORT.** Temporized courtesy light and possibility to control the access to the minibar, phone, water...



Enkoa System S.L.

Polígono Erramone 45, 20850 Mendaro. Gipuzkoa. Spain  
**T** +34 943 757 000 | info@enkoa.com  
[www.enkoa.com](http://www.enkoa.com)

